

SRH501P AND SRH502P

AVAILABILITY

All standard configurations can be supplied rapidly from the factory – check with your local supplier for more details

ORDERING CODES

NOTE: When selecting output option A3 (4-20mA), cable codes Sxx are the only cable codes allowable.

SINGLE OUTPUT SRH501P

			SRH501P/...../...../...../.....
Measurement range	= angle in °		
Output	A1 = Analog 0.5-4.5Vdc A2 = Analog 0-10Vdc A3 = Analog 4-20mA A4 = Analog 0.1-4.9Vdc P1 = PWM, 244 Hz P2 = PWM, 500 Hz P3 = PWM, 1000 Hz		
Direction	1 = Clockwise 2 = Anticlockwise		
Cable code	A00 = No cable, gland fitting S00 = No cable, screened cable gland (A3 output option – see note)		
	B01 = 1m 3-core unscreened cable, IP69K B05 = 5m 3-core unscreened cable, IP69K B10 = 10m 3-core unscreened cable, IP69K		
	S01 = 1m 3-core screened cable, IP69K (A3 output options – see note) S05 = 5m 3-core screened cable, IP69K S10 = 10m 3-core screened cable, IP69K		
	C01 = M12 screw locking receptacle		

DUAL OUTPUT SRH502P

			SRH502P/...../...../...../...../.....
Measurement range	CH1 = angle in °		
Measurement range	CH2 = angle in °		
Output	A1 = Analog 0.5-4.5Vdc A2 = Analog 0-10Vdc A3 = Analog 4-20mA A4 = Analog 0.1-4.9Vdc P1 = PWM, 244 Hz P2 = PWM, 500 Hz P3 = PWM, 1000 Hz		
Direction	3 = Both clockwise 4 = Both anticlockwise 5 = CH1 CW; CH2 ACW		
Cable code	A00 = No cable, gland fitting S00 = No cable, screened cable gland (A3 output option – see note)		
	B01 = 1m 4-core unscreened cable, IP69K B05 = 5m 4-core unscreened cable, IP69K B10 = 10m 4-core unscreened cable, IP69K		
	S01 = 1m 4-core screened cable, IP69K (A3 output options – see note) S05 = 5m 4-core screened cable, IP69K S10 = 10m 4-core screened cable, IP69K		
	C01 = M12 screw locking receptacle		

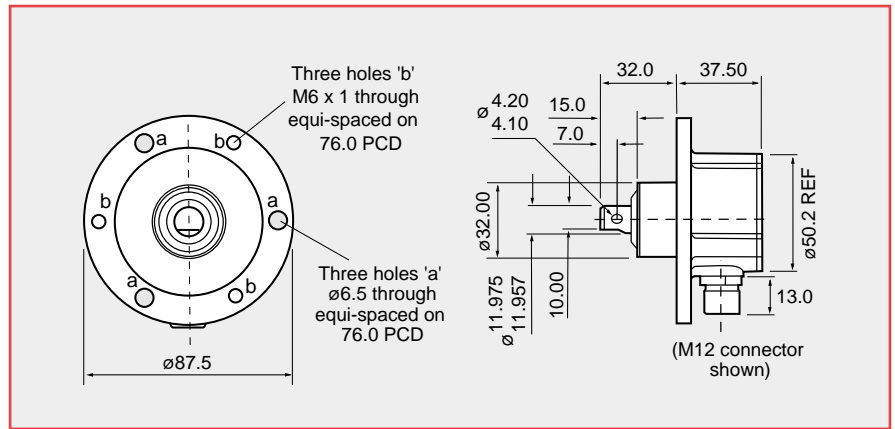
Accessories (order separately)

Drive lever kit – SA202195/MK - see page 25

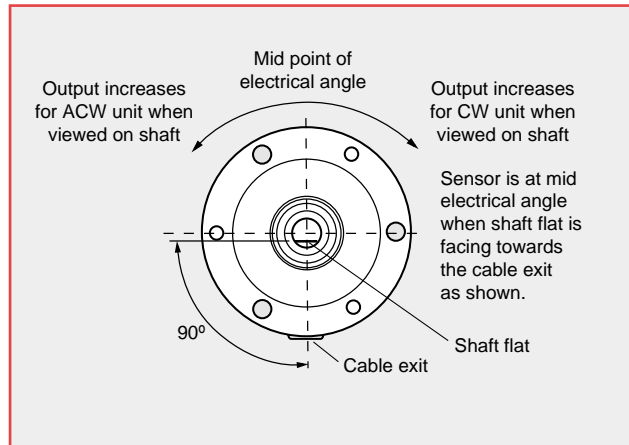
Mating connectors - see details on page 26

DIMENSIONS

Note: drawings not to scale

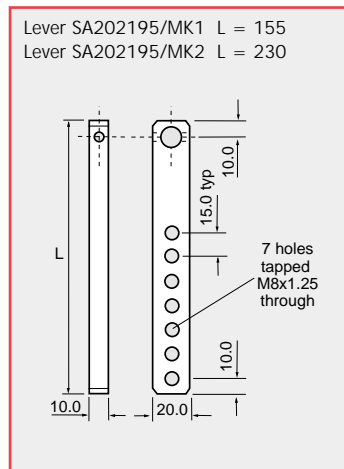


PHASING OF SHAFT TO HOUSING



LEVER OPTIONS (order separately)

Lever SA202195/MK1 L = 155
Lever SA202195/MK2 L = 230

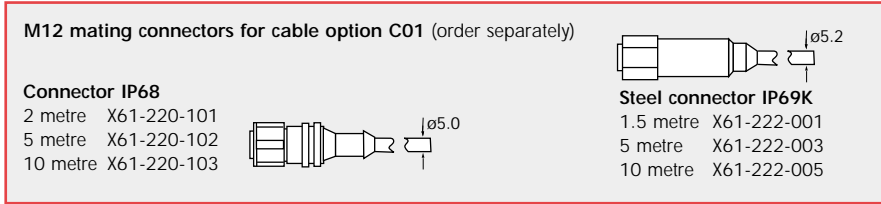
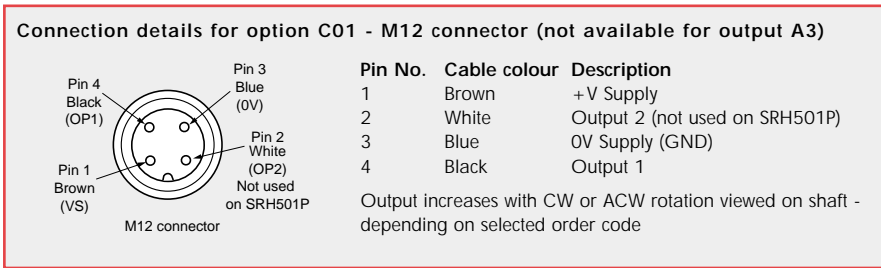
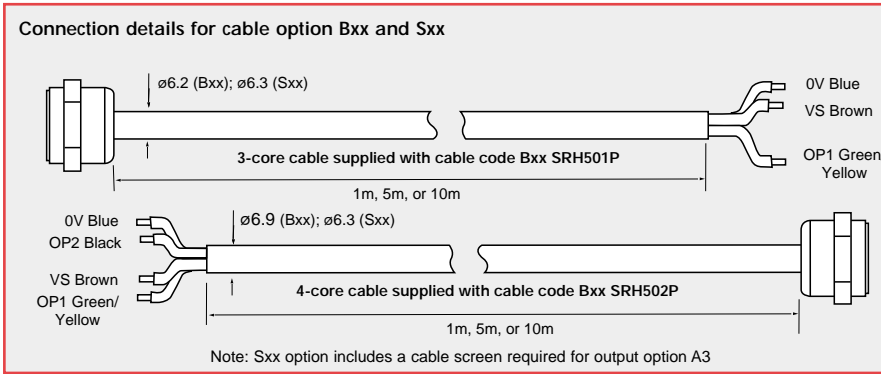
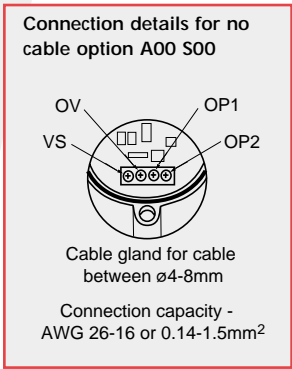


SRH501P AND SRH502P

ELECTRICAL CONNECTIONS

- Option A00** – No cable supplied
- Option S00** – No cable supplied (Fitted gland to suit screened cable)
- Option Bxx** – Cable supplied (1m, 5m or 10m)
- Option Sxx** – Screened cable supplied (1m, 5m or 10m)
- Option C01** – Series M12 screw locking receptacle to IEC 61076-2-101 (Ed.1) / IEC 60947-5-2 fitted to sensor body. Mating cabled sockets to be ordered separately.

CONNECTING CABLE OPTIONS



When connecting the sensor, care should be taken with the correct connections. The sensor is provided with indefinite reverse polarity protection and short circuit protection between output to GND, **but if the outputs are connected to the supply this will result in device failure.**