



Technical data



1.4 INCH
DISPLAY



SUNLIGHT
READABLE



1 X
CAN BUS



OPERATING
TEMPERATURE



INGRESS
PROTECTION



RESOLUTION

R2s

2" ROUND GAUGE WITH SQUARE COLOUR DISPLAY

THE R2S SPORTS A SQUARE COLOUR SCREEN HOUSED IN A SMALL 2" GAUGE.

Ideally suited for applications such as battery monitoring the display is a low cost CANbus reader configured at production to show a single data item from the J1939 CANbus.

Full support is offered with our Engineers developing the chosen data item application. An LED can be configured to allow an additional warning.

The unique, LCD colour display can be viewed at wide angles and the ruggedised unit is sealed to meet IP65 standards.

It meets the need for tough, flexible instrumentation while offering high performance and design specifications.

KEY FEATURES

- > 1 x CAN BUS
- > Full colour TFT display
- > CAN BUS reader
- > IP65 All Around Protection
- > Fits in standard SAE 2" gauge hole



Software

Custom application software is developed by our internal Engineers for this display working to your specification.

Over the years our engineers have developed software for our displays to:

- Run rock crushers on mining machinery
- Measure performance of spraying equipment
- Perform as battery monitors
- Operate boat gyro stabilizers

Plus many more including military and aerospace applications.



Specifications

Electrical

Display	TFT LCD 1.4" Round
Resolution	128 x 128
Active Area	74.39mm Diameter
Viewing Angle	65 Degrees left/right/down/up
Contrast Ratio	400:1
Brightness	250 NIT (cd/m ²)
Power Requirements	10V to 16V DC
Sounder	Internal Buzzer
Connection	1 x 6 pin Deutsch I. P. D. DT Series, DT-06-6S, Locking wedge W6A

Environmental

Operating temperature	-40°C to +80°C
Storage Temperature	-40°C to +80°C
Degree of Protection	IP65

Mechanical

Case material	ABS
Case colour	Anthracite Grey
Dimensions	58mm Round x 61mm Depth

Hardware

CPU	STM8S208C8TG
FLASH Memory	64KB
RAM	48KB
EEPROM	16KB

Communications

Communications	1 X CAN Bus 2.0B
----------------	------------------

Part Number

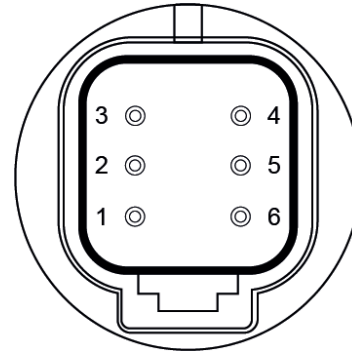
2800	R2s 2" Round Square LCD Display
------	---------------------------------



Connector 1

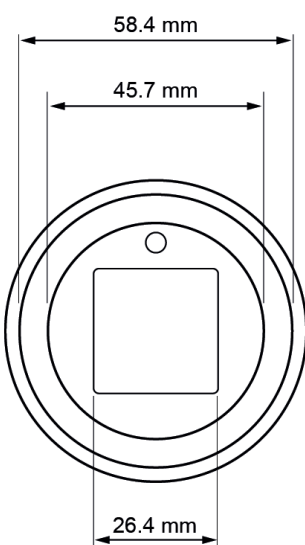
1	Battery + (DC)
2	Ground
3	Not Connected
4	Not Connected
5	CAN-H
6	CAN-L

Connector detail

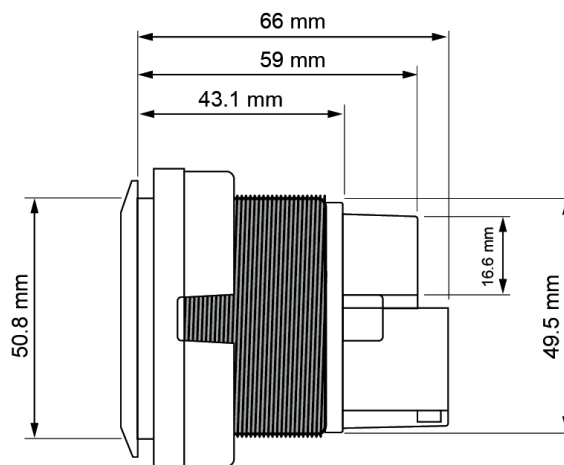


Dimensions

FRONT VIEW



SIDE VIEW



REAR VIEW

