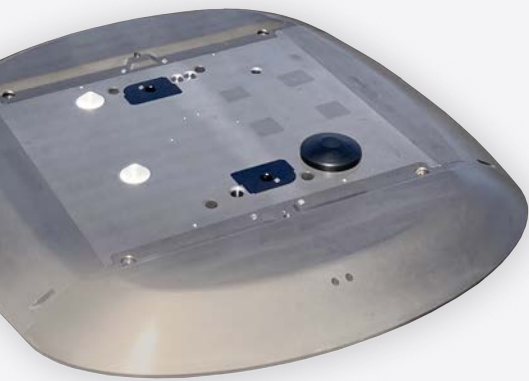


The future of VRU testing today

Introducing the LaunchPad™ 80



LaunchPad 80 is the latest addition to the LaunchPad product family. It's the fastest platform specifically for VRU testing, capable of carrying a motorcycle target at 80km/h and braking at over 0.6g. Reliable and realistic ADAS testing, even in the most challenging scenarios, is now a reality. The increased test speeds and enhanced braking capability ensure LaunchPad 80 users are prepared for future Euro NCAP tests and UNECE requirements.



Synchro system coordinates with up to 15 other test objects



Hydraulic braking enabling 6m/s² deceleration



80km/h top speed with target fitted



Compatible with TrackFi, TrackFi Pro and TrackFi PowerMesh radio systems



Battery capacity of 800Wh for extended running



2 internal and 2 external antennas for reliable data transfer



Heavy duty version with 44 tonne truck drive over capacity



Integrated GNSS inertial navigation unit for 2cm positioning



4-wheel drive and 4-wheel steering for manoeuvrability



Common software interface with AB Dynamics ADAS platforms and driving robots



Aluminium chassis with IP67 weather resistance

Specification

LaunchPad™ 50

Dimensions

917 x 875 x 65mm

Weight (approx.)

40kg

Weather resistance

**Fully sealed electronics,
waterproof to IP67**

Maximum speed (with target)

50km/h

Maximum acceleration

**2.5m/s²
(excluding target)**

Maximum braking

**5m/s²
(excluding target)**

Payload

**Pedestrian, cyclist, motorbike,
moped, animal. Maximum 15kg**

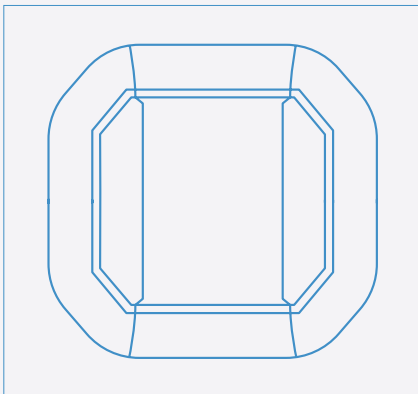
Batteries

**Twin high-capacity LiFePO4
battery packs 400Wh,
rapid battery swap system**

Drive-over capacity

**1000kg per wheel
3550kg per wheel (HD Panel)**

Size comparison to scale



LaunchPad™ 60

Dimensions

917 x 875 x 65mm

Weight (approx.)

40kg

Weather resistance

**Fully sealed electronics,
waterproof to IP67**

Maximum speed (with target)

60km/h

Maximum acceleration

**4m/s²
(excluding target)**

Maximum braking

**6m/s²
(excluding target)**

Payload

**Pedestrian, cyclist, motorbike,
moped, animal. Maximum 15kg**

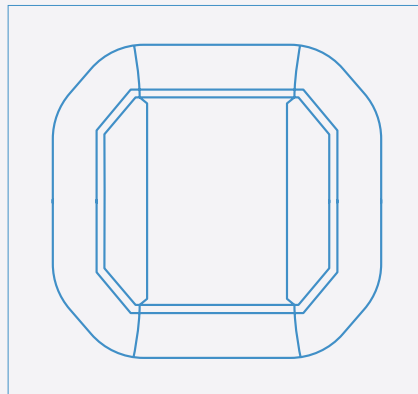
Batteries

**Twin high-capacity Lithium-ion
battery packs 540Wh,
rapid battery swap system**

Drive-over capacity

**1000kg per wheel
3550kg per wheel (HD Panel)**

Size comparison to scale



LaunchPad™ 80

Dimensions

1045 x 960 x 80mm

Weight (approx.)

75kg

Weather resistance

**Fully sealed electronics,
waterproof to IP67**

Maximum speed (with target)

80km/h

Maximum acceleration

**3m/s²
(Euro NCAP PTW fitted)**

Maximum braking

**>6m/s²
(Euro NCAP PTW fitted)**

Payload

**Motorbike, moped
Maximum 15kg**

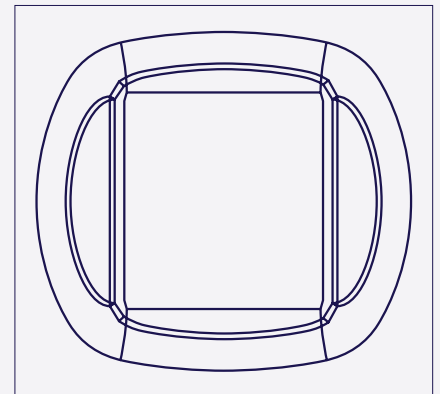
Batteries

**Twin high-capacity LiFePO4
battery packs 800Wh,
rapid battery swap system**

Drive-over capacity

**1000kg per wheel
3550kg per wheel (HD version)**

Size comparison to scale



About AB Dynamics

AB Dynamics is a leading global provider of automotive test and verification solutions that facilitate the development of vehicles that are safer, more efficient and sustainable. As part of the AB Dynamics Group of companies we enable customers to develop and test in virtual environments, validate on the track and then evaluate vehicles on public roads.

For more information:

[LaunchPad80.com](https://www.abdynamics.com)

info@abdynamics.com

SP25-03

© 2021 AB Dynamics. All Rights Reserved. AB Dynamics®, LaunchPad™, PowerMesh™ and TrackFI™ are trademarks and the property of AB Dynamics plc or its subsidiaries in the United Kingdom and elsewhere. Systems, components, methodologies and software supplied by may be the subject of patent and design rights. Whilst this information is provided in good faith, no warranty or representation is given concerning such information, which must not be taken as establishing any contractual or other commitment binding upon AB Dynamics plc or any of its subsidiaries.

SS-LP80-08/21-ENUK