



## Industrial Pressure Sensor | Pa600

UK-Made - Accurate, Easily Customised & Fast Delivery

- **Lead Time:** 2 Weeks
- **Buy online:** <https://appmeas.co.uk/tag/pa600/>



### AT A GLANCE

- Ranges: 0-500mbar up to 0-700bar
- Outputs: 4-20mA, 0-5Vdc, 0-10Vdc, 0.5-4.5Vdc ratiometric, mV/V
- IP65 (IP67 optional)
- Accuracy:  $<\pm 0.25\%/FS$  ( $<\pm 0.1\%$  optional)
- Stainless Steel Construction

- **UK Manufactured**
- **General Purpose and Industrial Pressure Measurement**
- IP65 Splash-Proof Protected as Standard
- Only 2 Week Delivery!
- **High Volume Production Available**
- **Customised & OEM Versions**
- **Simple Setup with Custom Process Connections**

### DESCRIPTION

Applied Measurements Pa600 industrial pressure sensor comes with fast delivery times of 2 weeks and is specifically designed for the measurement of gas and liquid pressure measurement in general and industrial pressure applications. We can easily accommodate any requirement from a one-off to bulk orders for many thousands of sensors, all within our in-house, UK production facility.

The Pa600 sensor housing is constructed from 303 stainless steel and utilises a ceramic sensing diaphragm (96% aluminium oxide Al<sub>2</sub>O<sub>3</sub>), a Viton O-ring and a G $\frac{3}{4}$  inch male process connection as standard making it suitable for a multitude of common sensing applications. Alternate casing and construction materials, O-rings and process connections can all be offered, including G $\frac{3}{4}$ " female and  $\frac{1}{4}$ " NPT male connectors.



Should you require a pressure sensor tailored to your specific pressure measurement application, we can design and manufacture fully-customised sensors for you – please contact our friendly sales team (<https://appmeas.co.uk/contact-us/>) to discuss your requirement in detail.

A wide variety of outputs can be offered from Applied Measurements Pa600 industrial pressure sensor including 4-20mA, 0-5Vdc, 0-10Vdc, 10mV/V and 20mV/V. Along with, a ratiometric 0.5-4.5Vdc signal (10% to 90% of supply voltage) that requires a 5Vdc (2.7 – 5.5Vdc acceptable) to suit most dataloggers.

Applied Measurements has a range of precise instrumentation that can be used with the industrial pressure sensor to give you a complete calibrated pressure measurement system.

## TECHNICAL SPECIFICATIONS

Nominal Pressure Range	Bar (gauge, absolute or sealed gauge)	0-0.5	0-1	0-2	0-5	0-10	0-20	0-50	0-100	0-250	0-400	0-600	0-700
Compound Ranges	Bar	-	-1...0 *	-1...+2 *	-1...+5	-1...+9	-1...+19	-1...+29	-	-	-	-	-
Permissible Overpressure	Bar	1	2	4	10	20	40	100	200	400	575	800	800
Burst Pressure	Bar	2	4	5	12	25	50	120	250	500	650	950	950

\* <math>\pm 0.1\% / FS</math> (BFSL) accuracy not possible in these ranges

Output Signal & Supply Voltage	Wiring System	Output	Supply Voltage	Input Current	Input Resistance	Output Resistance
Pa642	2 – wire	4 – 20 mA	9 – 32 Vdc	n/a	<500	<500
Pa605	3 - wire	0 – 5V dc	9 – 32 Vdc	<10 mA	<500	<500
Pa6010	3 - wire	0 – 10V dc	13 – 32 Vdc	<10 mA	<500	<500
Pa645	3 - wire	0.5 to 4.5V dc	5 Vdc (2.7 - 5.5Vdc)	<3 mA	<500	<500
Pa602	4 - wire	Passive mV/V (un-rationalised)	2 – 30 Vdc	<1 mA @ 10V	<11000	<11000
Pa607	4 – wire	2mV/V (rationalised)	2 – 30 Vdc	<1 mA @ 10V	<11000	<11000
Pa610	4 - wire	10mV/V (amplified)	3 – 12 Vdc	<3 mA typ.	<11000	<2000 nom.
Pa620	4 - wire	20mV/V (amplified)	3 – 12 Vdc	<3 mA typ.	<11000	<2000 nom.

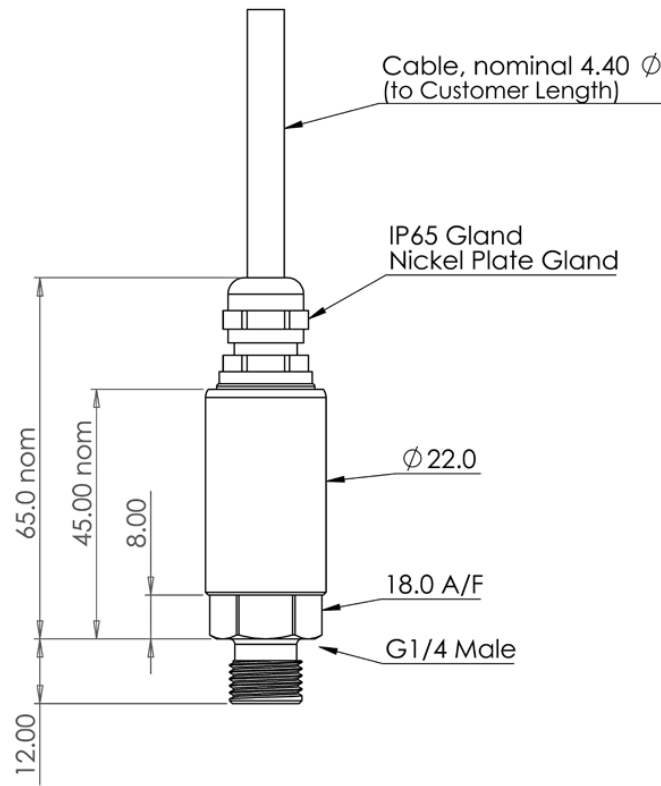
Performance		
Accuracy (non-linearity, hysteresis, repeatability)	% Full Scale Output	<math>< \pm 0.25</math> (BFSL) <math>< \pm 0.1</math> (BFSL) optional
Setting Errors (Zero Balance + Full Scale Output)	2-wire, 3-wire 4-wire rationalised 4-wire un-rationalised	Zero <math>< \pm 1\% / FS</math>, Span <math>< \pm 0.5\% / FS</math> Zero <math>< 0.2\text{mV/V}</math>, Span <math>\pm 1\% / FS</math> Zero <math>< 0.1\text{mV/V}</math>, Span <math>\pm 30\%</math>
Permissible Load	2-wire 3-wire 4-wire	$R_{max} = [(VS - VS_{min}) / 0.02] \Omega$ $R_{min} = 10 \text{ k}\Omega$ $R_{min} = 11\text{k}\Omega$
Influence Effects	Supply Effects Load Effect	mV/V & 0.5 to 4.5V – Ratiometric, Other Voltage Outputs - <math>< 0.005\% FS / 1V</math> 4 - 20mA = <math>< 0.05\% FSO / \text{k}\Omega</math>
Response Time (10% - 90%)	ms	$\leq 1$ (mV/V versions) $\leq 10$ (amplified versions)
Warm-Up Time (amplified versions only)	ms	2 typ.
Permissible Temperatures & Thermal Effects		



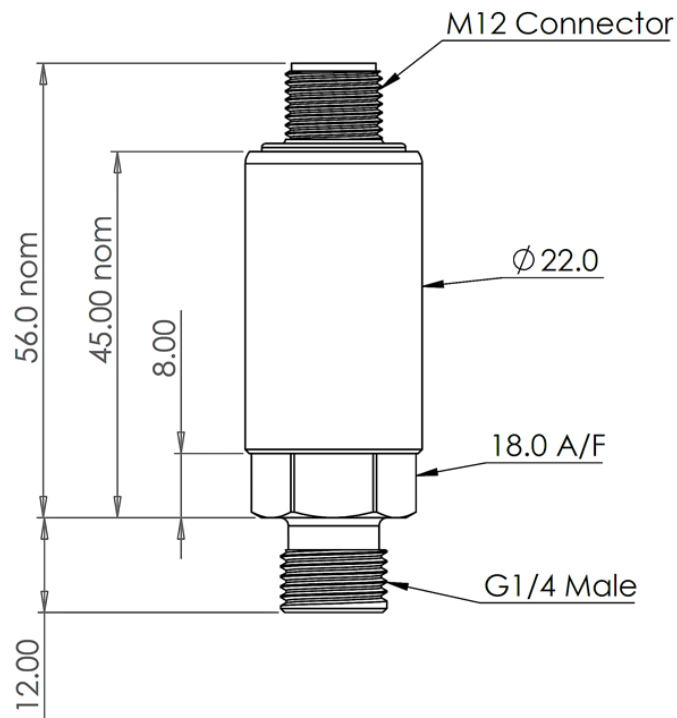
<b>Performance</b>		
Media Temperature	°C	-40 to +135
Ambient Temperature	°C	-20 to +85
Storage Temperature	°C	-20 to +85
Compensated Temperature Range	°C	+20 to +80
Thermal Zero Shift (TZS)	% / FS / °C	<±0.04 (standard) <±0.02 (option) <±0.01 (option)
Thermal Span Shift (TSS)	% output / °C	<-0.015
Electrical Protection		
Reverse Polarity Protection		No damage but also no function
Electromagnetic Compatibility		CE Compliant
Insulation Resistance	Megohms $\Omega$ at 50V dc	>500
Mechanical Stability		
Shock		100 g / 11 ms
Vibration		10 g RMS (20 ... 2000 Hz)
Materials		
Housing & process connection		303 Stainless Steel 316L Stainless Steel (optional)
'O' ring seals		Viton NBR/Nitrile (optional) EPDM (optional) Chemraz (optional)
Diaphragm		Ceramic Al <sub>2</sub> O <sub>3</sub> 96%
Media wetted parts		Housing and process connection, 'O' ring seal, diaphragm
Misc		
Weight	grams	100 nominal
Installation position		Any
Operational life	pressure cycles	> 100 x 10 <sup>6</sup>
Environmental Protection	Mini Plug + Socket M12 x 1 Connector  Cable Gland	IP65 Gauge Reference $\leq$ 50bar : IP65 / Absolute, Sealed Gauge or >50bar Range : IP67 IP65

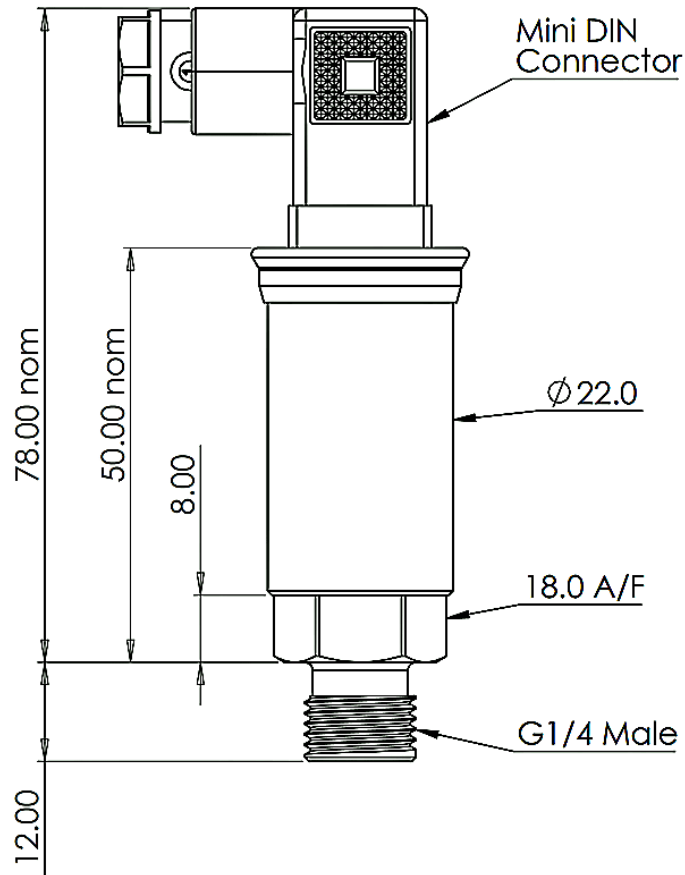
## Product Dimensions

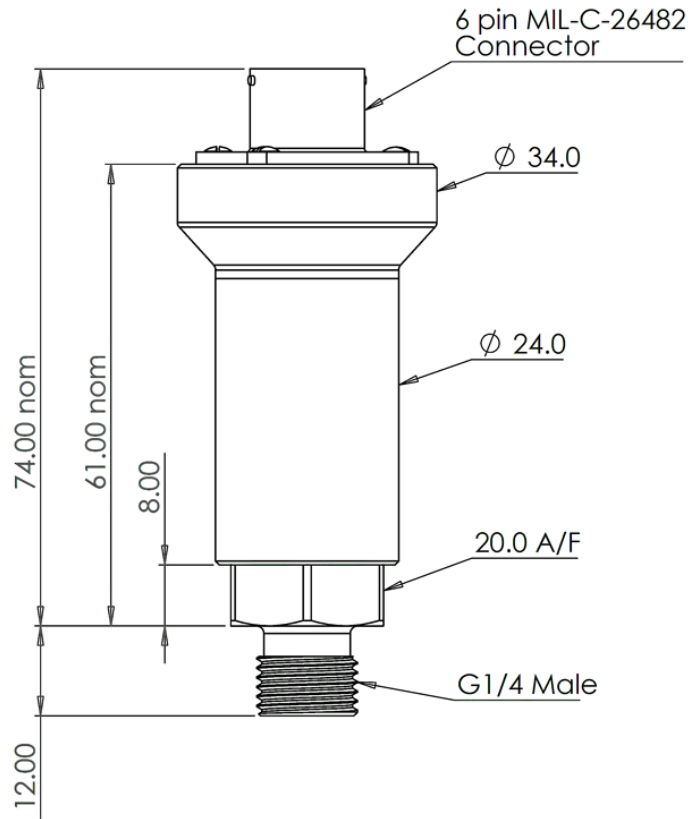
### Industrial Pressure Sensor Pa600 Gland outline



**Industrial Pressure Sensor Pa600 M12 Outline**







### Wiring Details

		Small Plug & Socket	IP65 Cable	M12 x 1, 4-pin Connector	6-pin Bayonet Connector
2-wire	+ve Supply -ve Supply Ground	Pin 1 Pin 2 Earth Pin	Red Blue Yellow	Pin 1 Pin 2 Pin 4	Pin A Pin B Pin D
3-wire	+ve Supply -ve Supply +ve Output Ground	Pin 1 Pin 2 Pin 3 Earth Pin	Red Blue Green Yellow	Pin 1 Pin 2 Pin 3 Pin 4	Pin A Pin B Pin C Pin D
4-wire	+ve Supply -ve Supply +ve Output -ve Output	Pin 1 Pin 2 Pin 3 Earth Pin	Red Blue Green Yellow	Pin 1 Pin 2 Pin 3 Pin 4	Pin A Pin B Pin C Pin D

## ORDERING CODES & OPTIONS

Pa642P-10barg-A4AV-00-000 (example code)	Pa6	42	P	-	10barg	-	A	4	A	V	-	00	-	000
Product Family														
Pa6 Series Pressure Sensor	Pa6													



<b>Pa642P-10barg-A4AV-00-000 (example code)</b>	<b>Pa6</b>	<b>42</b>	<b>P</b>	<b>-</b>	<b>10barg</b>	<b>-</b>	<b>A</b>	<b>4</b>	<b>A</b>	<b>V</b>	<b>-</b>	<b>00</b>	<b>-</b>	<b>000</b>
<b>Electrical Output</b>														
mV/V un-rationalised		02												
2mV/V		07												
10mV/V		10												
20mV/V		20												
4-20mA (2-wire)		42												
0.5-4.5Vdc ratiometric (5V excitation)		45												
0-5Vdc		05												
0-10Vdc		010												
<b>Electrical Connection / ATEX Certification</b>														
Mini DIN Plug & Socket			P											
IP65 Cable Gland + Screened, Un-Vented PVC Cable			C											
M12x1 4-pin Connector			M											
M12x1 4-pin Connector + Mating Half			MM											
6-pin Bayonet-Lock Mil-Spec Connector			BL											
6-pin Bayonet-Lock Mil-Spec Connector + Mating Half			BLM											
<b>Pressure Range</b>														
0 to 10bar gauge				-	10barg	-								
-1 to +1bar gauge				-	M1P1barg	-								
+15 to +500psi absolute				-	P15P500psia	-								
0 to 2400psi gauge				-	2400psig	-								
<b>Accuracy (Non-Linearity &amp; Hysteresis)</b>														
<±0.25%/FS (standard)							A							
<±0.1%/FS							B							
<b>Zero Temperature Compensation (TZS)</b>														
<±0.04%/FS/°C								4						
<±0.02%/FS/°C								2						
<±0.01%/FS/°C								1						
<b>Process Connection</b>														
G¼" Male DIN 3852 in 303 St/Steel									A					



<b>Pa642P-10barg-A4AV-00-000 (example code)</b>	<b>Pa6</b>	<b>42</b>	<b>P</b>	<b>-</b>	<b>10barg</b>	<b>-</b>	<b>A</b>	<b>4</b>	<b>A</b>	<b>V</b>	<b>-</b>	<b>00</b>	<b>-</b>	<b>000</b>
G¼" Male DIN 3852 in 316L St/Steel										B				
¼" NPT Male in 303 St/Steel										C				
7/16 UNF-20 Male in 303 St/Steel										D				
G¼" Female in 303 St/Steel										E				
G¼" Male DIN 3852 in PVDF (Polyvinylidene Fluoride)										F				
G¼" Male with 60° Internal Cone in 303 St/Steel										G				
G¼" Male DIN 3852 in UNS S31803 Duplex St/Steel										I				
G¼" Male DIN 3852 with Snubber in 303 St/Steel										J				
¼" NPT Male in PVDF (Polyvinylidene Fluoride)										K				
G½" Male DIN 3852 in 303 St/Steel										R				
9/16 UNF Internal (no bleed hole) in St/Steel										S				
<b>O-Ring Material</b>														
Viton (FKM)										V				
Nitrile (NBR)										N				
EPDM (Ethylene Propylene Diene Monomer)										E				
Chemraz (Perfluoroelastomer)										C				
<b>Cable Length (in metres)</b>														
None												-	00	-
1 metre												-	01	-
<b>Specials Code</b>														
No Special Requirements														000
Cleaned for Oxygen Service														010

## RELATED PRODUCTS & SERVICES





# APPLIED MEASUREMENTS LTD.

Transducer Specialists...

+44 (0) 118 981 7339  
info@appmeas.co.uk  
https://appmeas.co.uk



USB Pressure Sensor System | Digital | Pa600-USB  
(<https://appmeas.co.uk/products/pressure-sensors/usb-pressure-sensor-pa600->



Universal Process Input Digital Indicator | Intuitive4-P  
(<https://appmeas.co.uk/products/instrumentation/universal-process-input->



Large Digit Load Cell Digital Display | Readout | FUSION  
(<https://appmeas.co.uk/products/instrumentation/large-digit-load-cell-digital->



Handheld Load Cell Indicator | Digital Display | TR150  
(<https://appmeas.co.uk/products/instrumentation/tr150-digital-handheld-load->



Advanced Wireless Portable Handheld Receiver Display | T24-HA  
(<https://appmeas.co.uk/products/instrumentation>

View this page in a browser:



<https://appmeas.co.uk/products/pressure-sensors/industrial-pressure-sensor-pa600/>