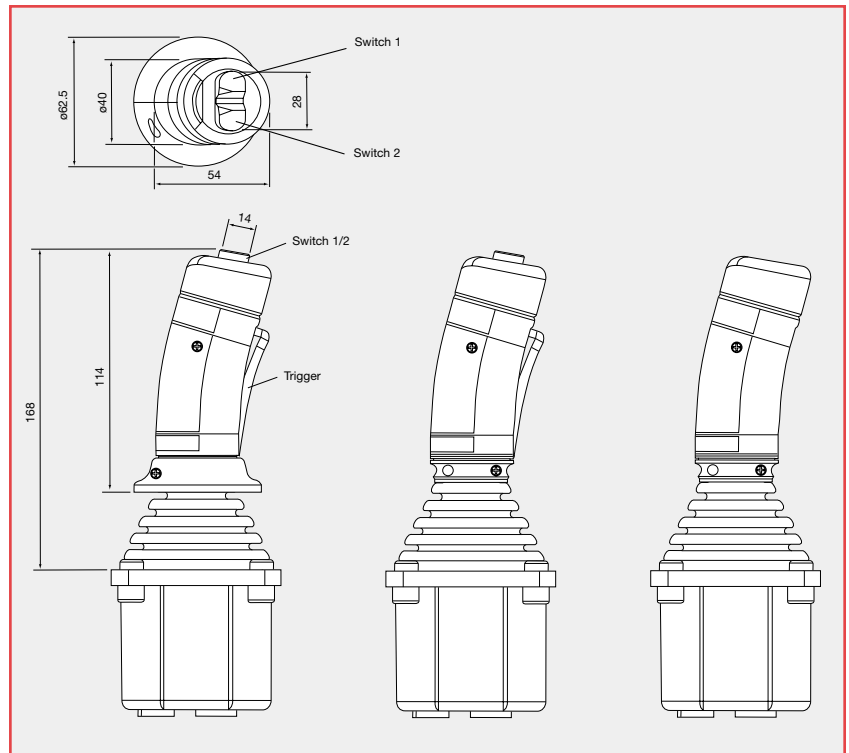


MG HANDLE OPTIONS

DIMENSIONS



SPECIFICATION

Maximum height above flange	mm	168
Maximum grip diameter	mm	40
Environmental sealing (IEC 60529)		IP67 (IP66 with trigger switch)
Number of switches		0 to 3
Action		Momentary Button, Rocker or Trigger
Switch operating force		
Trigger	N	5
Switch 1 or 2	N	7
Maximum current @ 30Vdc	mA	100
Expected life (operations)		1 million
Operating temperature	°C	-25 to +75
Storage temperature	°C	-30 to +80

HANDLE CODE

	Top switch position	Trigger switch	Hand rest
MG00	None	No	No
MG01	1	No	No
MG02	1 & 2	No	No
MG03	1 & 2	Yes	No
MG04	1 & 2	Yes	Yes
MG05	1	Yes	Yes
MG06	1 & 2	No	Yes
MG07	1	No	Yes
MG08	1	Yes	No
MG09	None	Yes	Yes
MG10	None	None	Yes
MG11	None	Yes	No

See Electrical Connections for wire color codes.

ELECTRICAL CONNECTIONS

	Pin number	Wire color
Common terminal (for top switches)	12	Black
Switch 1- Left	6	Blue
Switch 2 - Right	3	Green
Trigger switch	4	Blue/Orange
Trigger switch	5	Yellow

Note: Signals terminate on the 12-way connector (Potentiometer version), or the 16-way connector (Hall sensor version)