

- Contactless design – Inductive technology
- Wear-free operation
- Stroke lengths up to 1000mm
- 8mm body diameter
- Absolute measurement
- Infinite resolution
- High temperature capability – Up to 200°C or down to -55°C
- Working pressures up to 670Bar
- Separate signal conditioning (EICT)
 - High performance driver circuit
 - Zero and span adjustment
 - Choice of enclosure designs



The ICT080 Contactless In-Cylinder Linear Transducer has been specifically designed for small-bore mobile and static hydro-pneumatic actuators.

Designed primarily for the off-highway markets, the ICT080 linear transducer provides reliable, fit-and-forget position sensing of the cylinder rod in actuators with strokes up to 1000mm, with a body diameter of only 8mm.

It is a robust, non-contact transducer suitable for the harsh conditions of lifting and steering position applications and hydro-pneumatic active suspension systems. It works on an inductive coil principle, with virtually infinite resolution and is capable of withstanding temperatures down to -55°C and up to +200°C, with working pressures to 670Bar (10,000psi).

The EICT signal-conditioning module has been specifically designed to operate with the Penny and Giles range of SLT and ICT contactless linear position transducers.

The module incorporates a high performance circuit that drives the transducer and provides a choice of output signals with zero and span adjustment for simple user configuration. The module can be supplied in a choice of enclosures, with sealing to IP66 or IP68 protection.



CONTENTS

Configuration & Ordering Codes..... 3

- Flange.....3
- Core3
- Electrical Length.....3
- Linearity.....4
- Temperature Range4
- Cable Length.....4
- Signal Conditioning Module4

Installation 5

- Sensor Mechanical Dimensions5
 - Threaded Core.....5
 - Sleeved Core.....6
- Sensor Installation Kit7
- Suggested Sensor Fitting Profiles.....7
 - Internal Flange Machining Details.....7
 - Threaded Flange Machining Details.....8
 - Sleeved Core Machining Details8
 - Threaded Core Machining Details9
- Signal Conditioning Module Mechanical Dimensions.....9
 - EICT.....9
 - EICTM10
- Electrical Connections.....10
 - Wiring Notes11
- Signal Conditioning Module Set-Up.....11
- Rapid Integrity Check for Transducer13

Specifications..... 14

- Electrical.....14
- Outputs14
- Mechanical15
- Environmental15

© 2017 Curtiss-Wright. All rights reserved.

Curtiss-Wright accepts no responsibility for possible errors in catalogs, brochures and other printed material. Curtiss-Wright reserves the right to alter its products without prior notice. This also applies to products already Ordered provided that such alterations can be made without affecting agreed specifications. All trademarks in this material are properties of their respective owners.



CONFIGURATION & ORDERING CODES

ICT080-XX-XX-XXXX-X-X-XX

| Type | Flange | Core | Electrical Length | Linearity | Temperature Range | Cable Length |
|--------|--------|------|-------------------|-----------|-------------------|--------------|
| ICT080 | XX | XX | XXXX | X | X | XX |
| | IN | SC | 0025-1000 | A | H | 01 |
| | EM | TM | | B | L | 06 |
| | EU | TU | | | | |
| | RM | | | | | |
| | RU | | | | | |
| | | | | | | |

FLANGE

ICT080-XX-XX-XXXX-X-X-XX

| Code | Description |
|------|-----------------------------------|
| IN | Internal flange |
| EM | External flange – metric |
| EU | External flange – unified |
| RM | Reverse threaded flange – metric |
| RU | Reverse threaded flange – unified |

CORE

ICT080-XX-XX-XXXX-X-X-XX

| Code | Description |
|------|-------------------------|
| SC | Sleeved core |
| TM | Threaded core – metric |
| TU | Threaded core – unified |

ELECTRICAL LENGTH

ICT080-XX-XX-XXXX-X-X-XX

| Code | Description |
|------|---------------------------------------------------------------------------------------------------------------------------------------------------------|
| XXXX | 25mm to 200mm full electrical stroke length selectable in 5mm increments 210mm to 1000mm full electrical stroke length selectable in 10mm increments |

Stroke length is always written as four digits e.g. 80mm = 0080 and 880mm = 0880



LINEARITY

ICT080-XX-XX-XXXX-~~X~~-X-XX

| Code | Description |
|------|---------------------------------------------------------|
| A | ±0.25% total stroke maximum, typically less than ±0.20% |
| B | ±0.50% total stroke maximum, typically less than ±0.25% |

TEMPERATURE RANGE

ICT080-XX-XX-XXXX-X-~~X~~-XX

| Code | Description |
|------|---------------------------------------|
| H | -20°C to +200°C operating temperature |
| L | -55°C to +120°C operating temperature |

CABLE LENGTH

ICT080-XX-XX-XXXX-X-X-~~XX~~

| Code | Description |
|------|------------------|
| 01 | 1.0m flying lead |
| 06 | 6.0m flying lead |

SIGNAL CONDITIONING MODULE

The ICT080 requires one of the following signal conditioning modules (ordered separately)

| Code | Description |
|-------|-------------------------------------------------------------------------------------------------------------------------------------------|
| EICT | Corrosion resistant plastic enclosure sealed to IP66, with detail to fit rail DIN EN50022 or EN50035 or bulkhead mount via four M5 screws |
| EICTM | Powder coated metal enclosure sealed to IP68 with bulkhead mounting via four M5 screws |

The following accessories for the signal-conditioning module are also available (ordered separately)

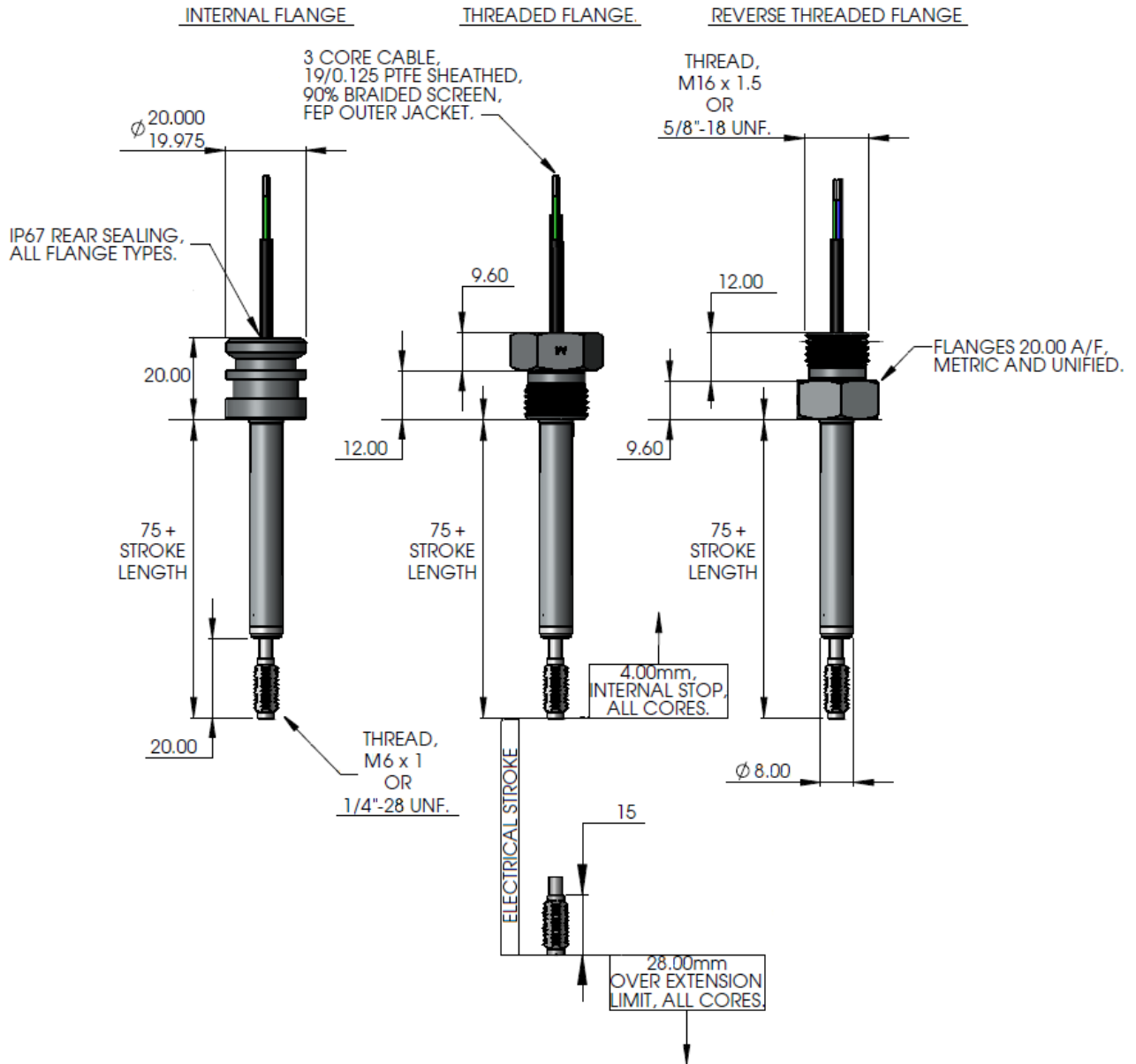
| Code | Description |
|------|-------------------------------------------|
| VM | Voltage module output option card |
| CM | Current module output option card |
| PWM | Pulse width modulation output option card |



INSTALLATION

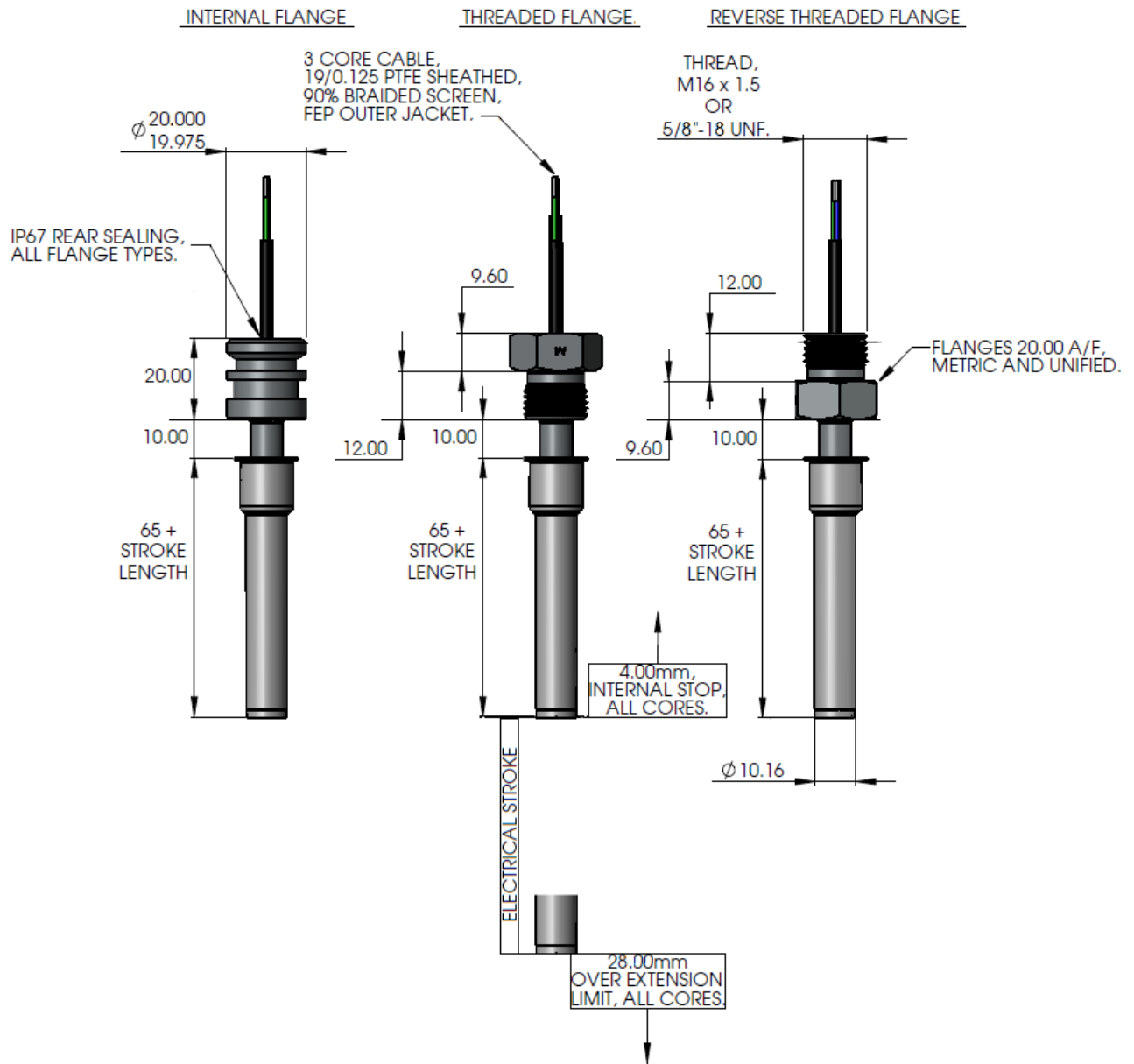
SENSOR MECHANICAL DIMENSIONS

Threaded Core





Sleeved Core





SENSOR INSTALLATION KIT

The installation kit is dependent upon the temperature rating. AI202799 applies for the H option and AI208510 applies for the L option in the configuration code.

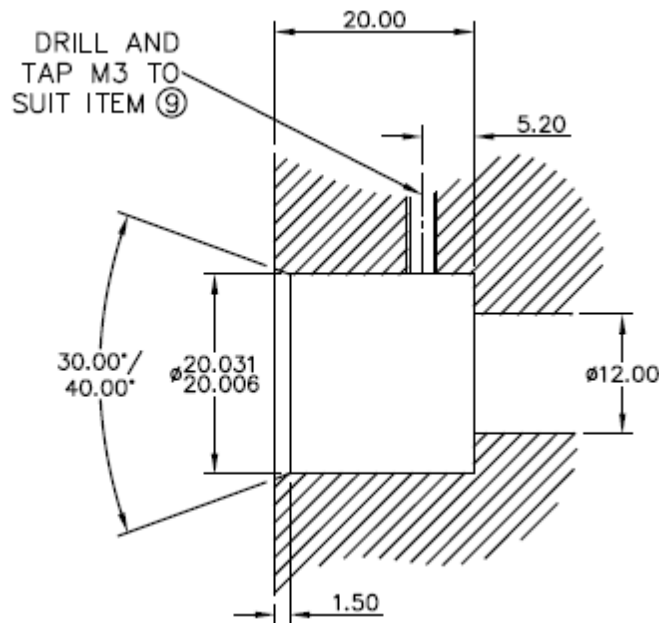
| Item Number | Description | P&G Part Number | | Quantity |
|-------------|------------------------------|---------------------|---------------------|----------|
| | | AI202799 (H option) | AI208510 (L option) | |
| 1 | Full nut M6 x 1.00 | X63-072-360 | X63-072-360 | 1 |
| 2 | Full nut 1/4" – 28 UNF | X63-111-001 | X63-111-001 | 1 |
| 3 | Wavy washer | X63-112-005 | X63-112-005 | 3 |
| 4 | Shim washer | P202681 | P202681 | 1 |
| 5 | Circlip | X69-005-106 | X69-005-106 | 1 |
| 6 | O-ring 14 x 2 | X64-194-006 | X64-213-006 | 1 |
| 7 | O ring 16 x 2.5 | X64-194-008 | X64-213-008 | 1 |
| 8 | Anti-extrusion ring | X64-074-001 | X64-074-001 | 1 |
| 9 | M3 conical set screw | X63-096-305 | X63-096-305 | 1 |
| 10 | Copy of installation drawing | AI202799 | AI208510 | 1 |
| 11 | Label – supplied loose | P200919 | P200919 | 1 |
| 12 | Installation kit label | P203232 | P208511 | 1 |

Item 11 (Label) is supplied for the customer to record ICT ordering code and is to be fitted in visible location adjacent to sensor for re-ordering reference

SUGGESTED SENSOR FITTING PROFILES

The installation details shown here are suggestions only because of the multiplicity of potential applications. The user should ensure that the design, method of assembly and materials used are satisfactory for the installation.

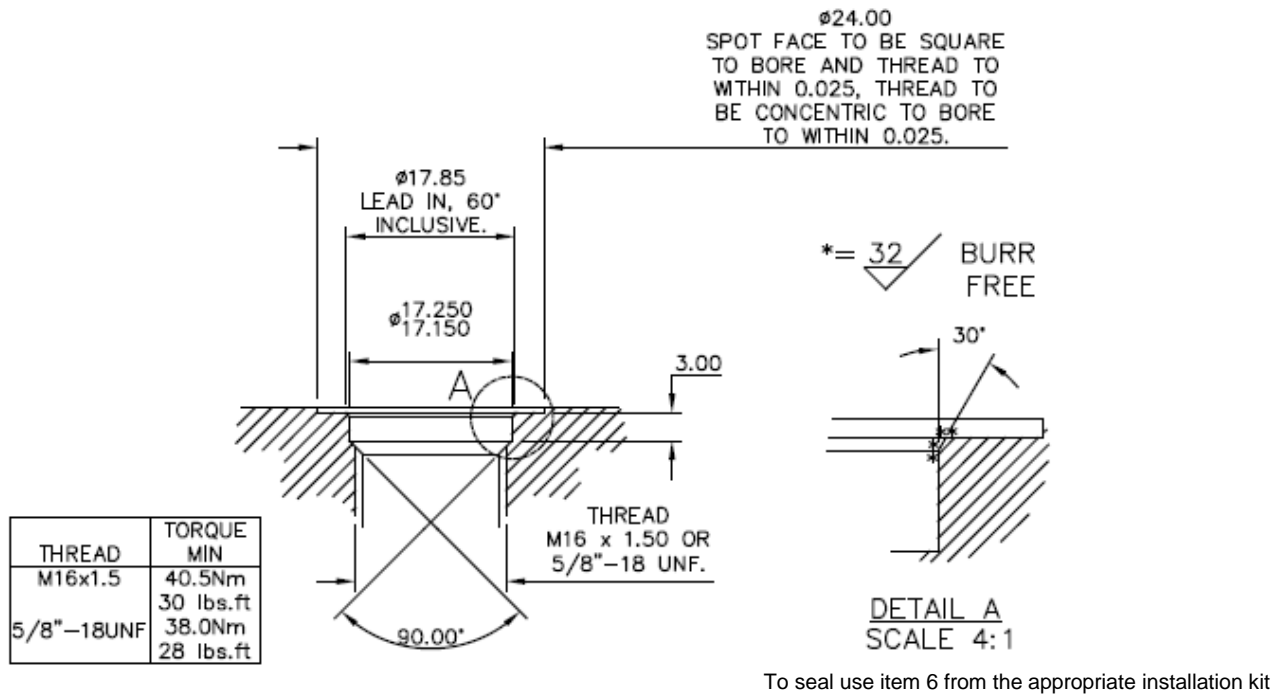
Internal Flange Machining Details



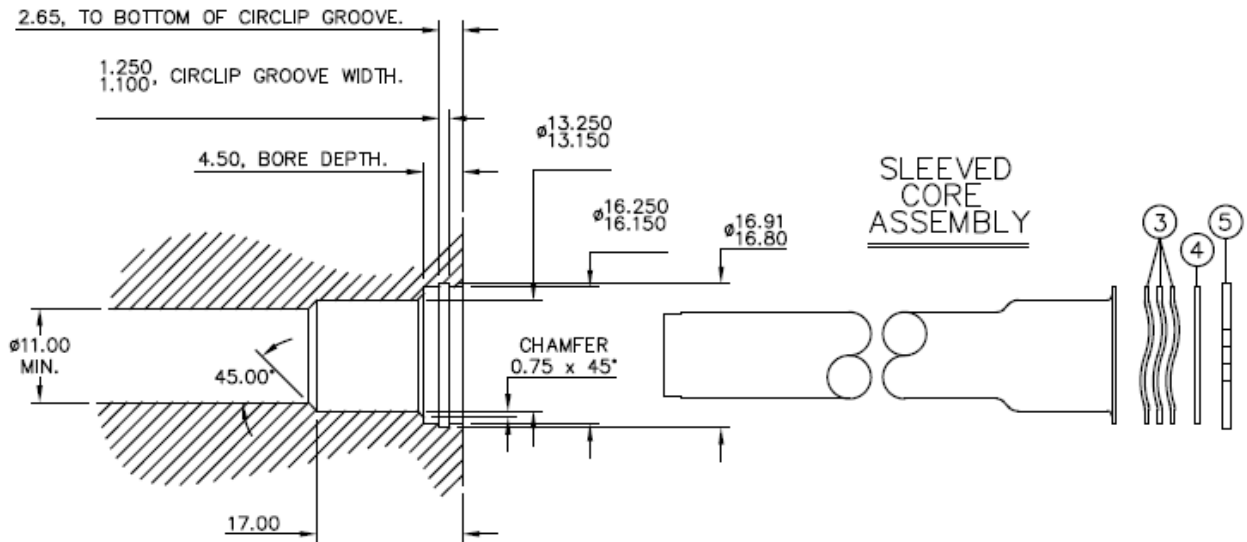
To seal use items 7 and 8 from the appropriate installation kit



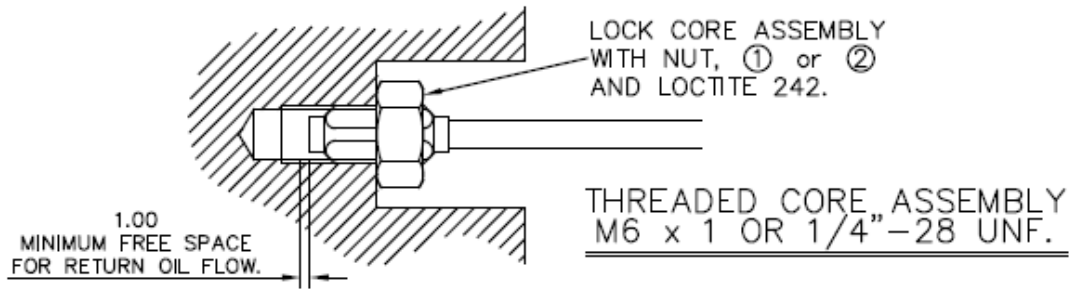
Threaded Flange Machining Details



Sleeved Core Machining Details

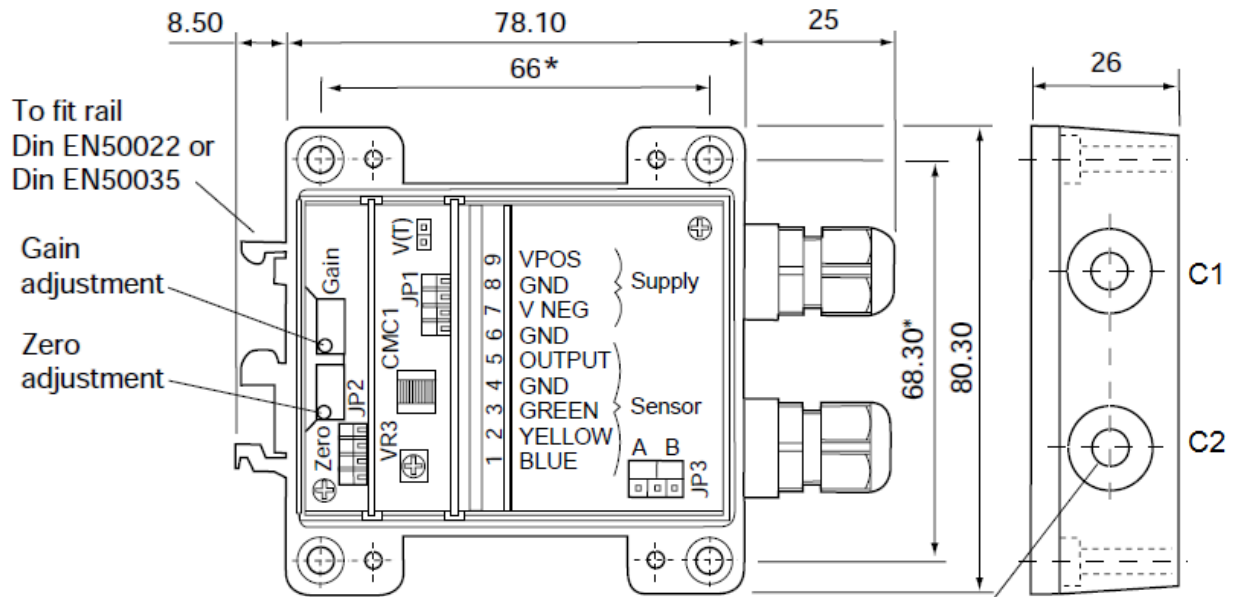


Threaded Core Machining Details



SIGNAL CONDITIONING MODULE MECHANICAL DIMENSIONS

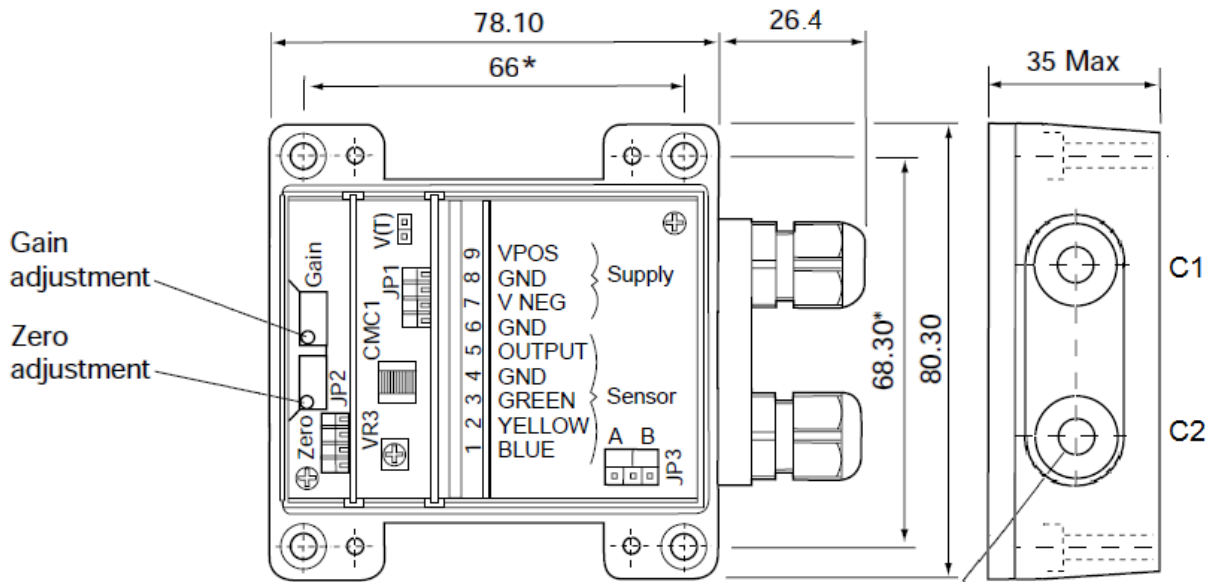
EICT



*Bulkhead fixing dimensions
Enclosure provided with four fixing holes to accept M5 screw x 30mm long minimum.

Cable glands Cable diameter must be between 2.5 and 6.0mm diameter to maintain IP66 rating of the enclosure.

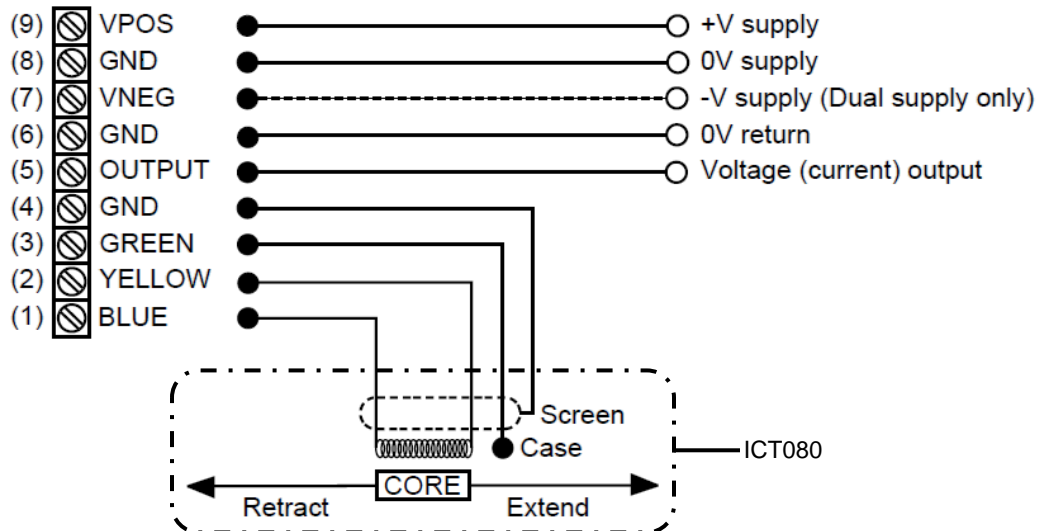
Cover removed for illustrative purposes

EICTM


*Bulkhead fixing dimensions
Enclosure provided with four fixing holes to accept M5 screw x 30mm long minimum.

Cable glands Cable diameter must be between 3.0 and 8.0mm diameter to maintain IP68 rating of the enclosure.

Cover removed for illustrative purposes

ELECTRICAL CONNECTIONS


Wiring Notes

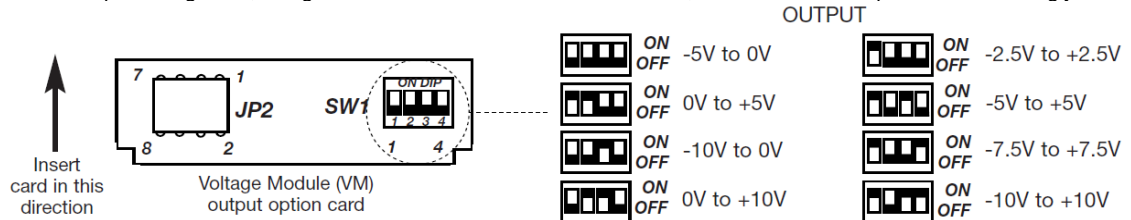
- The green wire is internally connected to the transducer case. Due to the construction of the transducer external moving parts, the green connection should not be used as a ground connection.
- The enclosure is not connected internally to ground, so it can be mounted on a chassis carrying a voltage potential other than 0Vdc
- Misconnection of the supply may cause permanent damage.
- Maximum recommended distance between transducer and signal conditioning module is 10m.
- Each transducer is supplied with a sensor calibration module card (SCMC), calibrated to match the electrical stroke length. The EICT and EICTM will only drive the ICT or SLT transducers correctly when the SCMC is fitted on header JP1. It is important that the transducer stroke length and the sensor length module be matched.
- The EICT/EICTM, with or without option cards fitted, requires only a single supply voltage connected between GND and VPOS. When the VM (Voltage Module) option card is used, an internal negative rail generator enables zero and negative output voltages to be achieved.
- In some situations an external negative supply in the range -10V to -30Vdc may be available (e.g., where the EICT is being used to replace an earlier model of signal conditioner). It is permissible to connect this voltage to VNEG, in which case the internal negative supply generator on the VM option card will be disabled and current will be drawn from the external supply.

SIGNAL CONDITIONING MODULE SET-UP

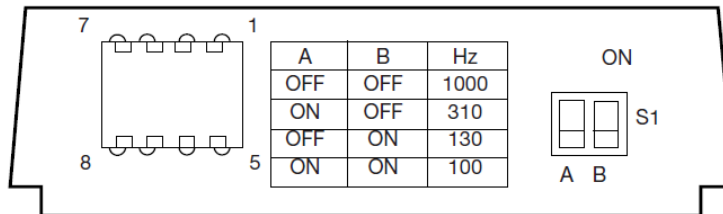
- STEP 1**
- Remove the four retaining screws to release the lid from the enclosure base. Note the position of the gasket in the lid.
 - Identify the Sensor Calibration Module Card (SCMC) supplied with the transducer.
 - Insert the SCMC card into position JP1.
- STEP 2**
- Unscrew the cable glands and pass the power supply cable through gland C1 into 'SUPPLY' zone on the EICT/EICTM board.
 - Do not turn on the power until instructed as incorrect connections may destroy the EICT/EICTM on power up.
 - Connect the power supply lead carrying the most POSITIVE potential (e.g. +24Vdc) to Terminal 9 [VPOS].
 - Connect the power lead carrying 0V to Terminal 8 [GND].
 - If using a dual supply, connect most negative power lead (e.g. -15V) to Terminal 7 [VNEG].
 - A power supply cable screen can be connected to Terminal 6 [GND]. This is recommended but optional.
 - Firmly tighten cable gland lock nut C1.
- STEP 3**
- Pass the transducer cable through gland C2 into 'SENSOR' zone on EICT/EICTM board.
 - Connect the transducer to the terminals on the EICT/EICTM board as per the electrical connections diagram.
 - Firmly tighten cable gland lock nut C2.
- STEP 4**
- Locate jumper on header JP3 on EICT/EICTM board. This determines the gradient of the voltage/current output with respect to the transducer core motion. Locate the jumper in the required position.



- The EICT/EICTM is factory set with JP3 in position 'A'
- STEP 5**
- If the required output signal is 0.5 - 4.5Vdc or 4 - 20 mA or TTL level (i.e., no Voltage Module (VM) output option card is fitted), fit the jumper into position on header JP2 (across terminals 1 & 2). The EICT/EICTM is factory set with the jumper fitted in this position.
 - If the required output signal is a voltage signal other than 0.5 - 4.5Vdc (i.e. an additional VM output option card is required) then remove jumper from header JP2 and store on V(T) link park terminals.
- STEP 6**
- VM card only, for all other options proceed to step 7.
 - Select the Voltage Module (VM) output option card and locate the DIP switch (SW1) on the card. Select the required sensor output voltage and, using the Switch Position Matrix Guide below, set the DIP switch positions accordingly.



- STEP 7**
- If using a voltage module, connect the VM card by inserting connector into position on header JP2 of EICT/EICTM PCB. Do not insert CM or PWM cards at this stage.
 - Connect a DMM set to measure voltage to the output (terminal 5) and GND (terminal 6) on the EICT/EICTM PCB.
 - Move the transducer core to the fully 'Lo' position (See Step 4 and Fig. 2) and power up the EICT/EICTM.
 - Adjust ZERO trim pot until the required output voltage is achieved on the DMM display (0.5Vdc if no VM card is fitted in JP2).
 - For Dual Supply option, output over the full range, relative to ground ('GND' 0V) will appear on Terminal 5 'OUTPUT'. (e.g. In the case of a -10V to 0 to +10V range, the output can be trimmed to -10V using the ZERO trim pot).
- STEP 8**
- Move the transducer core to the fully 'Hi' position and adjust GAIN trim pot until required output voltage is achieved (4.5Vdc if no VM card is fitted in JP2).
 - For Dual Supply option, output over the full range, relative to ground ('GND' 0V) will appear on Terminal 5 'OUTPUT'. (e.g. In the case of a -10V to 0 to +10V range, the output can be trimmed to +10V using the GAIN trim pot).
- STEP 9 – CM CARD**
- If using a PWM card follow the process in STEP 9 PWM CARD.
 - If no card is used, proceed to step 10.
 - If a current output is required, Switch off the power supply to EICT/EICTM, remove jumper from header JP2 and store on V(T) link park terminals.
 - Connect the CM card by inserting connector into position on header JP2 of EICT/EICTM PCB.
 - Change DMM (already connected between terminals 5 and 6) range settings to measure a 4-20mA current output and power up the EICT/EICTM.
 - Check that the output is 4-20mA over the stroke of the transducer core.
 - If adjustment is required, move transducer core to the fully 'Lo' position and Adjust ZERO trim pot until the required output current (4mA) is achieved and/or move transducer core to the fully 'Hi' position and adjust GAIN trim pot until required output current (20mA) is achieved.
- STEP 9 – PWM CARD**
- If using a CM card follow the process in STEP 9 CM CARD.
 - If no card is used, proceed to step 10.
 - If a pulse width modulation output is required, Switch off the power supply to EICT/EICTM, remove jumper from header JP2 and store on V(T) link park terminals.
 - Select the Pulse Width Modulation Module (PWM) output option card and locate the DIP switch (S1) on the card. Select the required sensor output frequency and, using the matrix table printed on the card, set the DIP switch positions accordingly.



- Connect the PWM card by inserting connector into position on header JP2 of EICT/EICTM PCB.
 - Replace the DMM (already connected between terminals 5 and 6) with an oscilloscope and power up the EICT/EICTM.
 - Check that the output has 10-90% duty cycle over the stroke of the transducer core.
 - If adjustment is required, move transducer core to the fully 'Lo' position and Adjust ZERO trim pot until the required output (10%, equivalent to 0.5Vdc) is achieved and/or move transducer core to the fully 'Hi' position and adjust GAIN trim pot until required output (90%, equivalent to 4.5Vdc) is achieved.
- STEP 10**
- After configuration, switch off the power to EICT/EICTM and remove DMM or oscilloscope connections.
 - Replace the lid using screws removed, ensuring all gaskets are present and in the correct place. Recommended tightening torque for the lid screws is 2Nm.
 - Optional, but recommended - use an indelible pen to mark the configuration settings in the appropriate label area shown on the EICT/EICTM housing cover. (EICT type; Voltage output range [if applicable]; transducer type).
 - The transducer and EICT/EICTM are now ready for use.



RAPID INTEGRITY CHECK FOR TRANSDUCER

- EICT/EICTM must be disconnected from the transducer to carry out following check.
 - Using a DMM, set to the resistance range:
 - Measure between connections assigned to transducer 'yellow' and 'blue'. Value should lie between 40Ω and 170Ω.
 - Measure between connections assigned to transducer 'green' and 'yellow' and/or 'blue'. Value should be 'open circuit'.
 - Measure between connections assigned to 'green' and the transducer body. Value should be 'short circuit'.
 - 'Screen', if used - Connections assigned to 'screen' should be 'open circuit' to all the other electrical connections and transducer body unless otherwise specified by your Systems Engineer.
-



SPECIFICATIONS

ELECTRICAL

| | |
|------------------------------------|-------------------------------------------------------------------------------------------------------------------------------------------------------------------------------------------------------------------------------------------------------------------------------------------------------------------------------------------------------------------------------------------------------------------------------------------------------------------------------------------------------------------------|
| MEASUREMENT RANGE | Maximum stroke selectable up to 1000mm |
| SENSOR RESOLUTION | Infinite |
| LEAST SQUARES LINEARITY | Refer to ordering code |
| INSULATION RESISTANCE | Yellow / blue to case >50M Ω at 50Vdc Screen to case >50M Ω at 50Vdc |
| GREEN WIRE BONDING RESISTANCE | < 1+ (0.08 x cable length in metres) Ω |
| SUPPLY VOLTAGE | 10-60Vdc unregulated for standard voltage output (EICT/EICTM only) 10-30Vdc unregulated for extended voltage output group 1 (VM card fitted) 13.5-30Vdc unregulated for extended voltage output group 2 (VM card fitted) 10-30Vdc unregulated for current output (CM card fitted) 10-30Vdc unregulated for pulse width modulated output (PWM card fitted) Or \pm 10-30Vdc unregulated (all configurations expect voltage group 2) \pm 13.5-30Vdc unregulated (extended output voltage group 2) |
| SUPPLY CURRENT | 10mA maximum (EICT/EICTM only) 19mA maximum (VM card fitted) 12.6mA maximum plus output current (CM card fitted) 13mA maximum (PWM card fitted) |
| POWER-ON SETTLEMENT | <300ms (within 0.25% of final output) |
| SENSOR TEMPERATURE COEFFICIENT | < \pm 100ppm of electrical stroke / $^{\circ}$ C (+20 $^{\circ}$ C to +60 $^{\circ}$ C) < \pm 200ppm of electrical stroke / $^{\circ}$ C (-20 $^{\circ}$ C to +100 $^{\circ}$ C) < \pm 300ppm of electrical stroke / $^{\circ}$ C (-20 $^{\circ}$ C to +200 $^{\circ}$ C) |
| EICT/EICTM TEMPERATURE COEFFICIENT | < \pm 200ppm/ $^{\circ}$ C < \pm 300ppm/ $^{\circ}$ C if fitted with VM card |
| LINE REGULATION | <0.001% output span/volt |

OUTPUTS

| | |
|---------------------------------|-------------------------------------------------------------------------------------------|
| STANDARD VOLTAGE OUTPUT | 0.5-4.5Vdc (EICT/EICTM only) |
| EXTENDED VOLTAGE OUTPUT GROUP 1 | 0-5Vdc (VM card fitted) \pm 2.5Vdc (VM card fitted) \pm 5Vdc (VM card fitted) |
| EXTENDED VOLTAGE OUTPUT GROUP 2 | 0-10Vdc (VM card fitted) \pm 7.5Vdc (VM card fitted) \pm 10Vdc (VM card fitted) |
| CURRENT OUTPUT | 4-20mA |
| PULSE WIDTH MODULATION OUTPUT | TTL level compatible signal with a 10-90% duty cycle |
| OUTPUT FREQUENCY | 100, 130 310 or 1000Hz (user selectable) |
| FREQUENCY ACCURACY | \pm 10% |
| LOGIC HIGH OUTPUT LEVEL | 4.5 \pm 0.5Vdc |
| LOGIC LOW OUTPUT LEVEL | <0.4Vdc |
| RISE/FALL TIME | <2 μ s with 1nF load capacitance |
| OUTPUT RANGE | 10% (zero) to 90% (span) |
| OUTPUT NOISE | <5mVrms |
| OUTPUT LOAD | 10k Ω minimum resistive to 0V line |
| OUTPUT ADJUSTMENT RANGE | Minimum sensor range is 50% of nominal sensor range |
| ZERO ADJUSTMENT | -10 to 60% of span, approximately 20 turns on adjustment pot |
| GAIN ADJUSTMENT | 40 to 110% of span, approximately 20 turns on adjustment pot |
| FREQUENCY RESPONSE | 30Hz (-3dB), equivalent to 5ms output lag |



MECHANICAL

| | |
|-------------------------------------------|--------------------------------------------------------------------------------------------|
| MAXIMUM SENSOR WORKING PRESSURE | 670Bar |
| EICT/EICTM BULKHEAD MOUNTING SCREW TORQUE | 4Nm |
| EICT/EICTM LID SCREW TORQUE | 2Nm, ensure that the rubber seal is properly located in the lid groove prior to re-fitting |

ENVIRONMENTAL

| | |
|------------------------------|----------------------------------------------------------------------------------------------------------------------------------------------------------------------------------------------------------------------------------------------|
| SENSOR TEMPERATURE RANGE | Operating: Refer to ordering code Storage: -55°C to +200°C |
| EICT/EICTM TEMPERATURE RANGE | Operating: 0°C to +70°C Storage: -40°C to +85°C |
| SEALING | EICT – IP66 EICTM – IP68 Users should also ensure adequate sealing of the opposite end connections on supply, transducer and output cables to ensure moisture cannot migrate down the inside of the cables into the EICT/EICTM module. |
| ELECTROMAGNETIC INTERFERENCE | EN61000-6-2, 100V/m (EICTM adjacent to transducer) Derangement <0.05% FS EN61000-6-2, 10V/m (EICT 1m cable to transducer) Derangement <0.05% FS |

IMPORTANT INFORMATION

Whilst Curtiss-Wright Industrial Group - Penny & Giles has designed this sensor to meet a range of applications it is the responsibility of the customer to ensure it meets their specific requirement.

Penny & Giles Controls Ltd makes no warranty or representation in respect of product fitness or suitability for any particular design application, environment, or otherwise, except as may subsequently be agreed in contract for the sale and purchase of products. Customers should therefore satisfy themselves of the actual performance requirements and subsequently the product's suitability for any particular design application and the environment in which the product is to be used.

Continual research and development may require change to products and specification without prior notification.

All trademarks acknowledged.