



## TRUBLUE 275 BARO

- ◆ Accuracy of  $\pm 0.05\%$  FS or 0.5 mbars or 0.2 mbars H<sub>2</sub>O
- ◆ Ten year permanent battery
- ◆ User-friendly TruWare software for PC or Mobile included

With our highly accurate, compact design, TE Connectivity has set the standard for top-quality environmental monitoring instruments. Now our next generation of data logging transducer models – the TruBlue 275 BARO – combines precision, performance, and rugged reliability like no other instrument available today. Designed to deliver time and time again in even the harshest conditions, the TruBlue 275 BARO is battery powered and made with 316 stainless steel or titanium. A fully sealed design and advanced; power-conserving microcomputer technology enables it to log baro-metric pressure and temperature for up to ten (10) years. Since these units do not require onsite power or a programmable logic controller (PLC), a terminal box isn't necessary.

The TruBlue 275 BARO is the perfect choice when reliability, accuracy and precision are needed in a compact, competitively priced design.

### Features

- ◆ Calibration Report with each instrument
- ◆ New compact fully sealed design
- ◆ Two Year Warranty
- ◆ Ten Year Battery Life

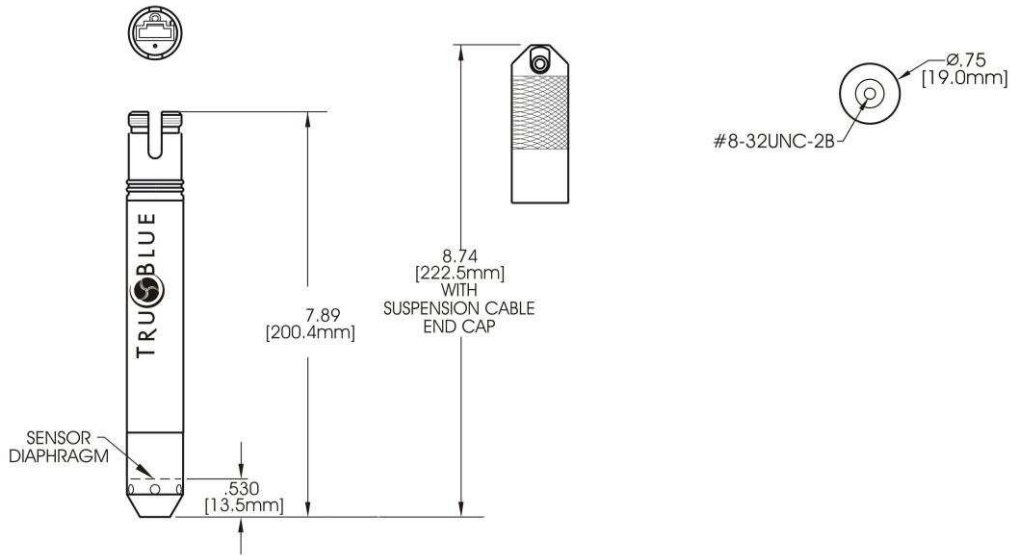
### Applications

- ◆ Barometric Pressure & Temperature Measurement
- ◆ Atmospheric correction for non-vented level transducers

**Specifications**

<b>SENSORS – PRESSURE</b>		
Sensor Type		Oil-filled Piezoresistive
Sensor Material		316 SS or Titanium
Range (psia)	Low	8
	High	16
Accuracy	0 – 50°C	±/- 0.05% FS TEB
Accuracy is stated as total error band (TEB). This includes the combined errors due to non-linearity, hysteresis, non-repeatability and thermal effects.		
Resolution		0.01% FS or better
Burst		3X FS
<b>SENSORS – TEMPERATURE</b>		
Sensor Type		Embedded RTD
Range (°C)	Low	0
	High	50
Accuracy		±0.1 °C
Resolution		0.01 °C
<b>PHYSICAL</b>		
Diameter	inches	0.75
Length	inches	7.89
Weight	oz.	6
<b>OPERATING CONDITIONS</b>		
Pressure (psia)	Low	8
	High	16
<b>ELECTRICAL</b>		
Internal Battery Type		3.6V lithium
Battery Life	One reading/5 minutes	10 years
External Power		6-16 VDC (2 mA sleep, 15 mA active)
Communication Interface		RS-485 (half duplex)
<b>DATA LOGGING</b>		
Memory		8 MB
Data Points		550,000
Clock Accuracy		2 min/year
Logging Rate	Linear	8 per second max.
	Linear Avg.	programmable
	Event	programmable
Methods	Linear	✓
	Linear Avg.	✓
	Event	✓
Data Extraction		1500 measurements/sec.
Pressure Response Time		< 1 second
Thermal Response Time	To achieve temperature compensation of the pressure sensor	< 10 minutes

## Dimensions



## Software

Each unit comes with user-friendly TruWare software at no charge.

- ♦ View, graph, and export test data
- ♦ Easy to use in the field or office
- ♦ Easy conversion to accurate water level reading, fully compensated for barometric pressure, temperature and water density



## Ordering Information

1. Pick a transducer model

8MB MODEL	56MB MODEL	MATERIAL	RANGE (PSI)
275-00020	275-70020	Stainless Steel	8-16 PSIA
275-00030	275-70030	Titanium	8-16 PSIA

2. Communication cable options

MODEL	DESCRIPTION
850-00857	USB to Backshell Communication Cable

3. Other cabling options can be found in the TruBlue Accessory Catalog

### NORTH AMERICA

Measurement Specialties, Inc.  
a TE Connectivity Company  
Tel 800-522-6752  
[customercare.hmpt@te.com](mailto:customercare.hmpt@te.com)

### EUROPE

Measurement Specialties (Europe), Ltd.,  
A TE Connectivity Company  
Tel 800-440-5100  
[customercare.dtmd@te.com](mailto:customercare.dtmd@te.com)

### ASIA

Measurement Specialties (China), Ltd.,  
a TE Connectivity Company  
Tel 0400-820-6049  
[customercare.shzn@te.com](mailto:customercare.shzn@te.com)

### TE.com/sensorsolutions

Measurement Specialties, Inc., a TE Connectivity company.

Measurement Specialties (MEAS), American Sensor Technologies (AST), TE Connectivity, TE Connectivity (logo) and EVERY CONNECTION COUNTS are trademarks. All other logos, products and/or company names referred to herein might be trademarks of their respective owners.

The information given herein, including drawings, illustrations and schematics which are intended for illustration purposes only, is believed to be reliable. However, TE Connectivity makes no warranties as to its accuracy or completeness and disclaims any liability in connection with its use. TE Connectivity's obligations shall only be as set forth in TE Connectivity's Standard Terms and Conditions of Sale for this product and in no case will TE Connectivity be liable for any incidental, indirect or consequential damages arising out of the sale, resale, use or misuse of the product. Users of TE Connectivity products should make their own evaluation to determine the suitability of each such product for the specific application.

© 2017 TE Connectivity Ltd. family of companies All Rights Reserved.