

## FEATURES

- ◆ Stainless Steel Diaphragm
- ◆ High Level Output Available
- ◆ High temperature range up to 150°C

## APPLICATIONS

- ◆ General Industries
- ◆ Regulation measurement
- ◆ Hydraulic Pressures
- ◆ Harsh environment

## P101

### Pressure transducer

#### SPECIFICATIONS

- ◆ Ranges from 10 to 1000 bars
- ◆ Gage pressure reference
- ◆ Several available options
- ◆ Harsh environment

The **P101** is a pressure transducer designed to measure pressure under a wide variety of conditions, including hostile environments and temperatures up to 150 °C.

Its stainless steel body and sealing options render the **P101** ideal for use in chemically aggressive environments, such as Skydrol® aviation hydraulic fluid.

The sensing element is fitted with a temperature compensated Wheatstone bridge equipped with thin strain gauges. The **P101-A1/A2** Series include a high level output.

On request, Instruction documents can be provided to ease the selection and use of our sensors and provide helpful tips.

## STANDARD RANGES

<b>Range in bar (FS)</b>	10	20	50	100	200	350	500	1k
--------------------------	----	----	----	-----	-----	-----	-----	----

## PERFORMANCE SPECIFICATIONS (typical values at temperature 23±3°C)

<b>Parameters</b>	
Operating Temperature Range (OTR)	-20 to 80° C [-4 to 176° F] (-20 to 150° C optional)
Compensated Temperature Range (CTR)	0 to 50° C [32 to 122° F]
Thermal Zero Shift in CTR	<2% / 50° C [100° F]
Thermal Sensitivity Shift in CTR	<2% / 50 °C [100° F]
Range (F.S.)	See standard ranges table (G = Gauge type only)
<b>Over-Range</b>	
Without Damage	1.5 x F.S
Without Destruction	3 x F.S.
<b>Accuracy</b>	
Combined Non-Linearity & Hysteresis	≤±0.3% F.S.

## Electrical Characteristics

<b>Model</b>	<b>P101</b>	<b>P101-A1</b>	<b>P101-A2</b>
Supply Voltage	10 Vdc	10 - 30Vdc	±15Vdc (±12 to ±18Vdc)
Sensitivity for 10 bar model <sup>4</sup>	1 mV/V	4V ±0.2V	5V ±0.2V
Sensitivity for ≥20 bar model <sup>4</sup>	2 mV/V	4V ±0.2V	5V ±0.2V
Zero Offset	<± 5% F.S.	0.5V ±0.2V	0 V ±0.2V
Input Impedance/Consumption	350 Ω	<50mA	<50mA
Output Impedance	350 Ω	1 kΩ <sup>5</sup>	1 kΩ <sup>5</sup>
Insulation under 50Vdc	≥100 MΩ	≥100 MΩ	≥100 MΩ

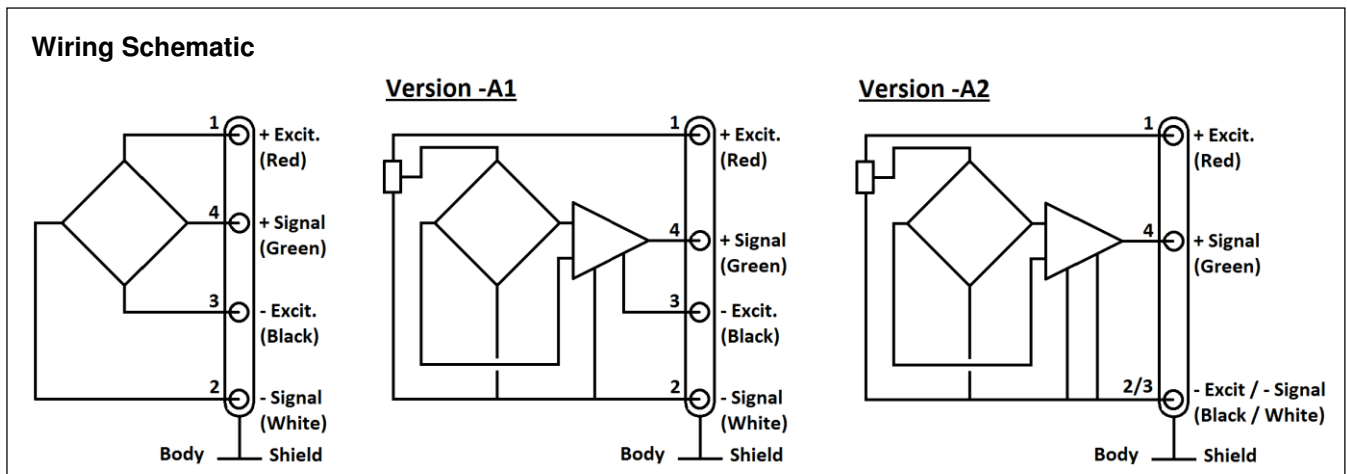
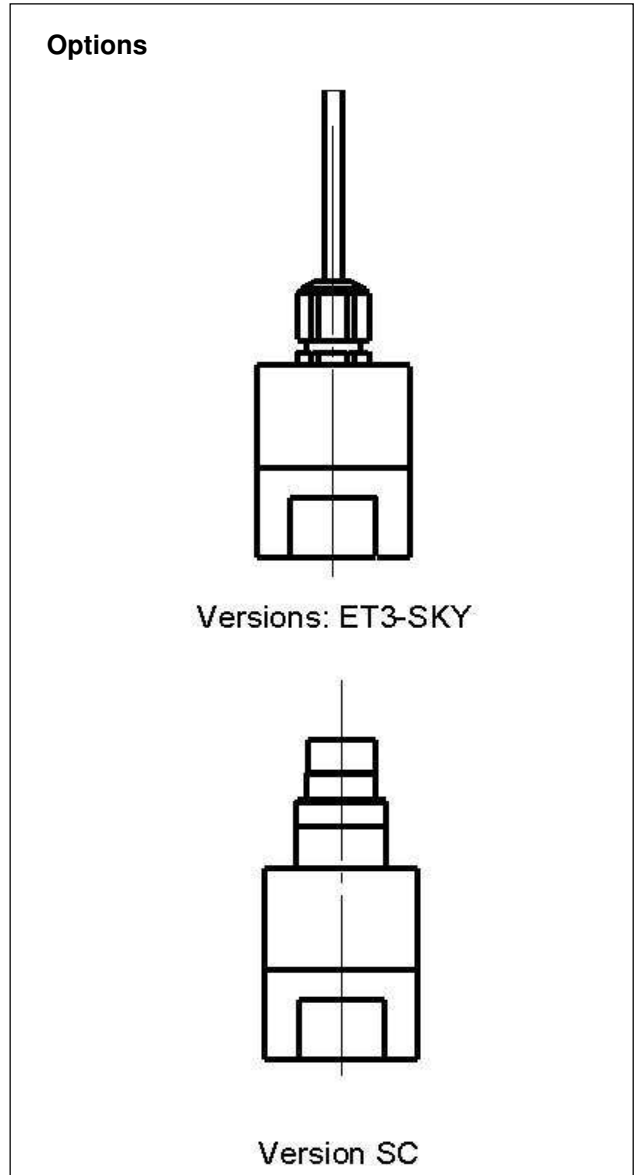
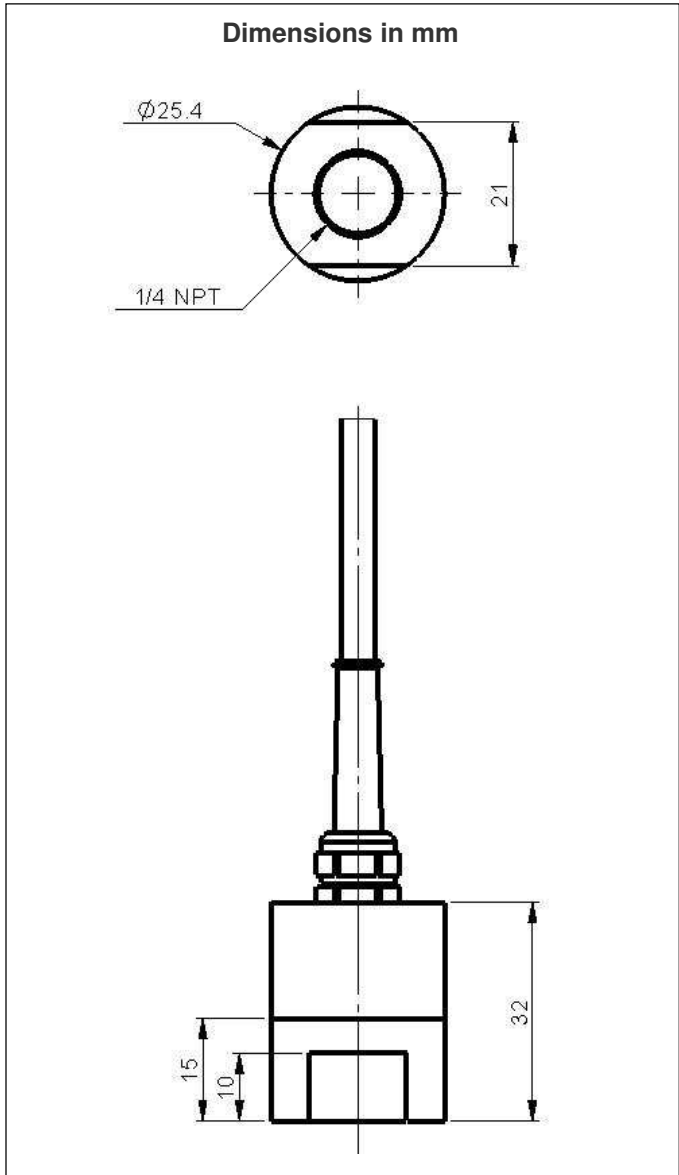
### Notes

1. Electrical Termination: Cable gland Termination, 2m [6.6ft] cable standard length
2. Material: Stainless steel diaphragm, body in aluminum
3. Weight: <300g [0.66lb] without cable
4. Standard output signal, custom outputs available on request
5. Output impedance standard, available <100Ω on request.
6. CE conformance according to EN 61010-1, EN 50081-1, EN 50082-1

**P101**

Pressure Transducer

**DIMENSION & WIRING SCHEMATIC (METRIC ONLY)**



## P101

Pressure Transducer

### OPTIONS

<b>HA</b>	: Accuracy (CNL&H) $\leq \pm 0.15\%$ F.S.
<b>SI</b>	: Sensitivity shift 0.5 % / 50° C
<b>ZI</b>	: Zero shift $\leq 0.5\%$ / 50° C
<b>ET1</b>	: CTR -20 to 100° C [-4 to 212° F]
<b>ET7</b>	: CTR -20 to 120° C [-4 to 248° F] OTR=CTR
<b>SC</b>	: Connector output
<b>SKY</b>	: Skydrol protection
<b>L00M</b>	: special cable length, replace "00" with total length in meters

### ORDERING INFORMATION

<b>P101</b>	-	<b>A1</b>	-	<b>20B</b>	<b>G</b>	-	<b>/SKY/L4M</b>
Modèle	-	Electrical interface	-	Etendue de mesure	Pression de référence	-	/Options
<b>FP110</b>	-	(empty) = bridge mV/V <b>A1</b> = 0.5 to 4.5V <b>A2</b> = 0-5V	-	<b>10B</b> <b>20B</b> <b>50B</b> <b>100B</b> <b>200B</b> <b>350B</b> <b>500B</b> <b>1KB</b>	<b>G</b> = Gage	-	<b>/HA</b> <b>/SI</b> <b>/ZI</b> <b>/ET1</b> <b>/ET7</b> <b>/SKY</b> <b>/L00M</b>

### SUPPLIED ACCESSOIRES (ONLY WITH SC OPTION)

<b>EFMX-4M</b> : mating plug Jaeger 530-801-006 with clamp 530-841-006 standard with SC option
<b>EFMX-4H</b> : mating plug Jaeger 530-804-006 with clamp 530-844-006 for ET1, ET2 or ET3 & SC options

#### NORTH AMERICA

Measurement Specialties, Inc.,  
a TE Connectivity Company  
Phone: +1 800 522 6752  
Email: [customercare.frm@te.com](mailto:customercare.frm@te.com)

#### EUROPE

Measurement Specialties (Europe), Ltd.  
a TE Connectivity Company  
Phone: +31 73 624 6999  
Email: [customercare.lcsb@te.com](mailto:customercare.lcsb@te.com)

#### ASIA

Measurement Specialties (China), Ltd.,  
a TE Connectivity Company  
Phone +86 400 820 6015  
Email: [customercare.shzn@te.com](mailto:customercare.shzn@te.com)

#### [TE.com/sensorsolutions](http://TE.com/sensorsolutions)

Measurement Specialties, Inc., a TE Connectivity company.

Measurement Specialties, TE Connectivity, TE Connectivity (logo) and EVERY CONNECTION COUNTS are trademarks. All other logos, products and/or company names referred to herein might be trademarks of their respective owners.

The information given herein, including drawings, illustrations and schematics which are intended for illustration purposes only, is believed to be reliable. However, TE Connectivity makes no warranties as to its accuracy or completeness and disclaims any liability in connection with its use. TE Connectivity's obligations shall only be as set forth in TE Connectivity's Standard Terms and Conditions of Sale for this product and in no case will TE Connectivity be liable for any incidental, indirect or consequential damages arising out of the sale, resale, use or misuse of the product. Users of TE Connectivity products should make their own evaluation to determine the suitability of each such product for the specific application.

© 2015 TE Connectivity Ltd. family of companies All Rights Reserved.