



MT2E

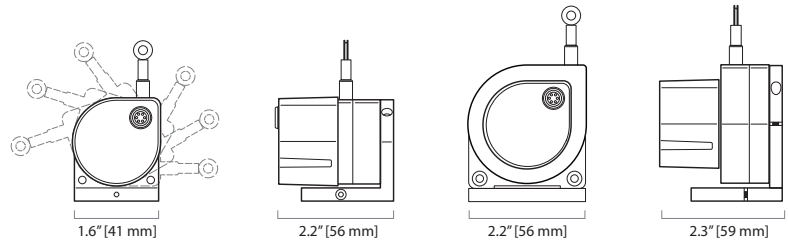
Cable Actuated Sensor

Test Applications • Incremental Encoder

Compact String Pot • 0-30 & 0-50 inch Stroke Range Options
 Dual Axis 360° Mounting Bracket
 Flight/Crash Test Applications
 Aluminum & Polycarbonate Enclosure

The MT2E is our new encoder-based member to our family of rugged, accurate miniature cable-extension position transducers. The Celeco MT2E features a highly-tensioned heavy-duty measuring cable that was designed for the high-acceleration demands encountered in flight testing and automotive crash tests.

The MT2E was designed with 2-axis 360° rotation in its mounting bracket which allows for fast and simple installation in any direction.



GENERAL

Full Stroke Range Options	0-30, 0-50 inches
Output Signal	incremental encoder
Accuracy	0.04% full stroke
Repeatability	± 0.02% full stroke
Resolution:	
30-inch Range	316 ± 5 pulses per inch
50-inch Range	188 ± 2 pulses per inch
Measuring Cable	Ø.019-in. nylon-coated stainless steel
Enclosure Material	anodized aluminum
Sensor Cover	polycarbonate
Sensor	optical incremental encoder
Weight, 30-inch	0.5 lb. max.
Weight, 50-inch	1.0 lb. max.

ELECTRICAL

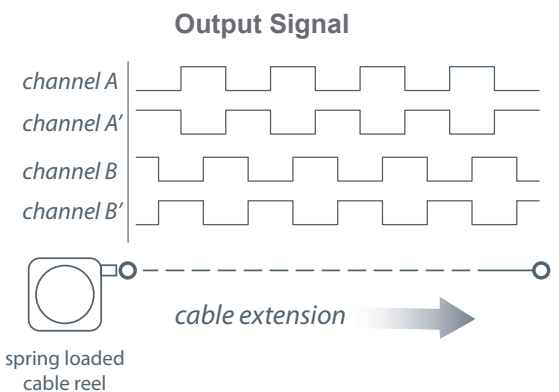
Input Voltage	5 - 26 VDC
Input Current	35 mA, no load
Output Driver	push-pull, 20 mA source/sink
Output Voltage	V _{in} = V _{out}
Mating Plug	LEMO FGG.OB.304.CLAD52

MECHANICAL

Measuring Cable Tension	see ordering information
Maximum Acceleration	see ordering information

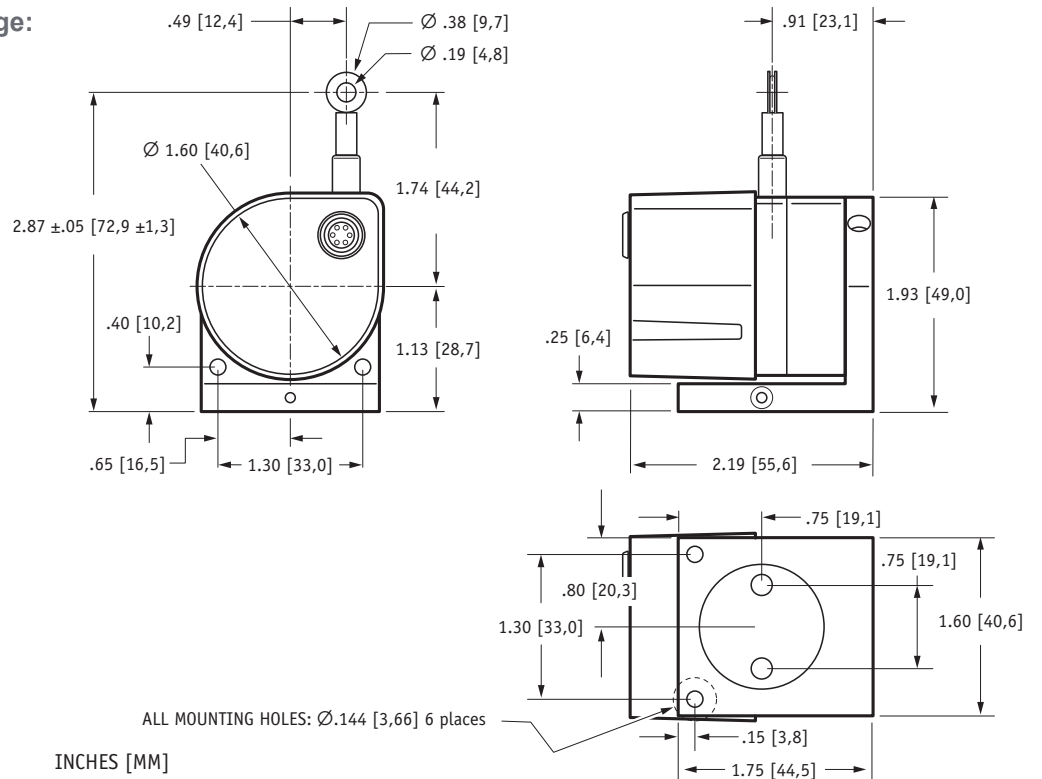
ENVIRONMENTAL

Operating Temperature	32° to 158° F (0° to 70°C)
------------------------------	-----------------------------

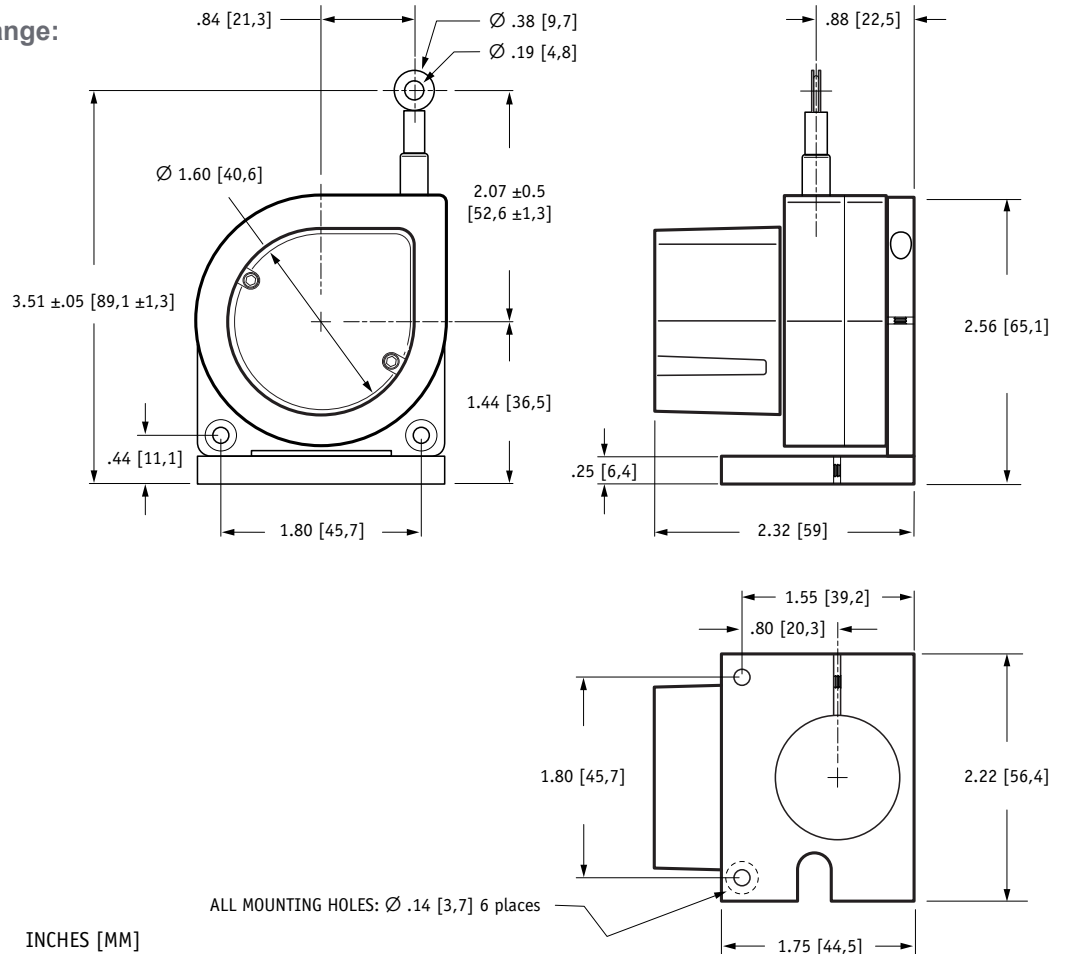


-- see ordering information for available channels

Outline Drawing, 30-inch range:

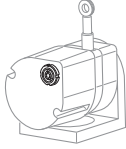
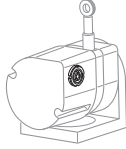



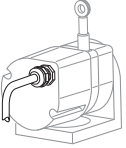
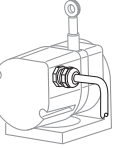

Outline Drawing, 50-inch range:

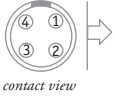
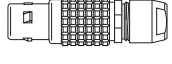
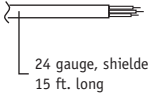


Ordering Information (cont.):

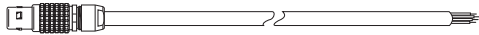
Electrical Connection:

Ⓢ order code:	M1	M1A	M2	M2A	M3	M3A
sensor cover:	polycarbonate	aluminum	polycarbonate	aluminum	polycarbonate	aluminum
available channels:	A, B	A, B	A, B	A, B	A, B	A, B
electrical connection:	 end-mount connector mating plug included		 side-mount connector mating plug included		 top-mount connector mating plug included	

Ⓢ order code:	C1	C1A	C2	C2A	C3	C3A
sensor cover:	polycarbonate	aluminum	polycarbonate	aluminum	polycarbonate	aluminum
available channels:	A, A', B, B'	A, A', B, B'	A, A', B, B'	A, A', B, B'	A, A', B, B'	A, A', B, B'
electrical connection:	 end-mount instrumentation cable 15-ft. long, 24 gauge shielded		 side-mount instrumentation cable 15-ft. long, 24 gauge shielded		 top-mount instrumentation cable 15-ft. long, 24 gauge shielded	

4-pin Connector		pin#	signal	Instrumentation Cable		
 contact view	 Lemo FGG.0B.304.CLAD52	1	input voltage (V+)	 24 gauge, shielded, 15 ft. long	Red	input voltage (V+)
		2	common (gnd.)		Black	common (gnd.)
		3	channel A		Green	channel A
		4	channel B		White	channel B
					Blue	channel A
					Brown	channel B

Accessories:



Part Number

9603957-0015

Description

15 ft. long cordset. Includes mating connector with 15 ft., 24 gauge, shielded multiconductor cable. Signals: V+, Gnd, Channel A, Channel B

NORTH AMERICA Measurement Specialties, Inc. a TE Connectivity Company

20630 Plummer Street
Chatsworth, CA 91311
Tel +1-800-423-5483
Tel +1-818-701-2772
Fax +1-800-701-2799

customer@te.com

te.com/sensorsolutions

Measurement Specialties Inc. a TE Connectivity company

Measurement Specialties, TE Connectivity, TE Connectivity (logo) and Every Connection Counts are trademarks. All other logos, products and/or company names referred to herein might be trademarks of their respective owners.

The information given herein, including drawings, illustrations and schematics which are intended for illustration purposes only, is believed to be reliable. However, TE Connectivity makes no warranties as to its accuracy or completeness and disclaims any liability in connection with its use. TE Connectivity's obligations shall only be as set forth in TE Connectivity's Standard Terms and Conditions of Sale for this product and in no case will TE Connectivity be liable for any incidental, indirect or consequential damages arising out of the sale, resale, use or misuse of the product. Users of TE Connectivity products should make their own evaluation to determine the suitability of each such product for the specific application.

© 2016 TE Connectivity Ltd. family of companies All Rights Reserved.