



NON-INCENDIVE

Pressure Transducer / Transmitter AST4300

Overview

The AST4300 is a stainless-steel pressure transducer / transmitter for use in hazardous areas. In addition to its rugged construction and best price-to-performance ratio in the industry, the AST4300 is the solution for pressure measurement for a variety of applications.

Benefits

- Class I Div 2 Groups A, B, C, D*
- ATEX / IECEx: Ex ec IIC T4 Gc (Ta = -40°C to 85°C)**
- Class I Zone 2, AEx nA IIC, T4**
- High Strength Stainless Steel Construction
- No Oil, Welds or Internal O-rings
- Wide Operating Temperature
- Pressures from Vacuum to 20,000 PSI
- Low Static and Thermal Errors
- Unparalleled Price and Performance
- Compatible with Wide Variety of Liquids and Gases
- EMI/RFI Protection

*For DIN43650A and Turck Mini-Fast connectors & metal conduit connectors

**For metal conduit connector (suffix "L," "M," "N," and "P" in 16th position of model code)

NON-INCENDIVE

AST4300 Pressure Transducer / Transmitter

Applications

- Refrigeration
- Water Management
- Industrial OEM Equipment
- Oil & Gas Platforms
- Pressure Instrumentation
- Process Control
- Gas Compression & Storage
- Test Stands
- Oxygen Delivery Systems
- Hydrogen Fuel (316L)

Performance @ 25°C (77°F)

Accuracy	< ±0.25% BFSL (<±0.5% from 7,500 up to 20,000 PSI)
Stability (1 year)	±0.25% FS, typical
Over Range Protection	2X Rated Pressure, Minimum
Burst Pressure	5X or 40,000 PSI (whichever is less)
Pressure Cycles	>100 Million

Environmental Data

Temperature

Operating	-40 to 80°C (-40 to 176°F)
Storage	-40 to 100°C (-40 to 212°F)

0-100% relative humidity, non-condensing

Thermal Limits

Compensated Range 0 to 55°C (32 to 132°F)

TC Zero	<±1.5% of FS
TC Span	<±1.5% of FS

Other

Shock	EN 60068-2-27
Vibration	EN 60068-2-6, 60068-2-64, and IEC 68-2-32
EMI/RFI Protection:	Yes
Rating:	IP-66, min

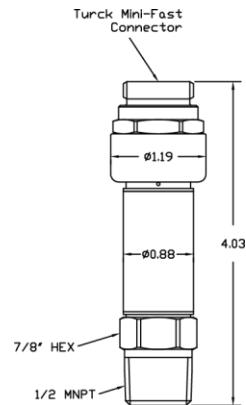
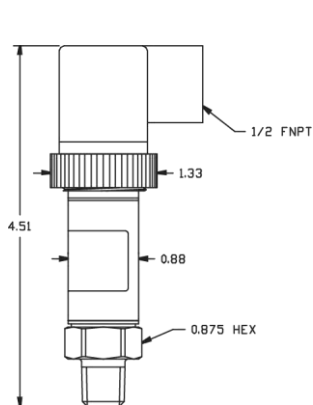
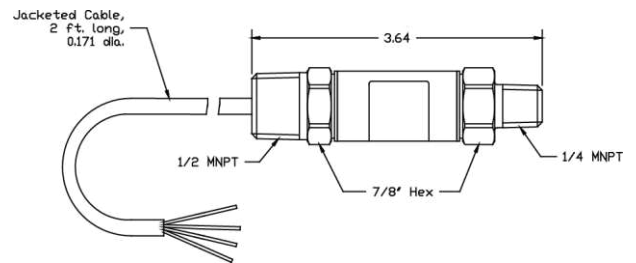
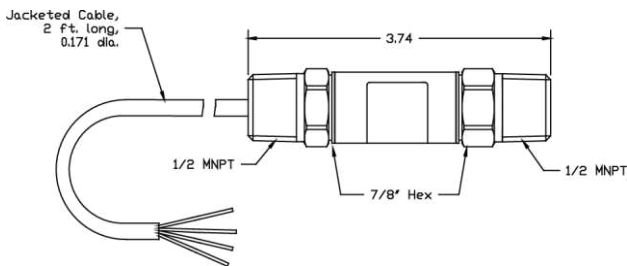
NON-INCENDIVE

AST4300 Pressure Transducer / Transmitter

Electrical Data

Output	4-20mA	1-5VDC, 1-6VDC	0.5-4.5V Ratiometric
Excitation	10-28VDC	10-28VDC	5VDC, regulated
Output Impedance	>10k Ohms	<100 Ohms, Nominal	<100 Ohms, Nominal
Current Consumption:	20mA, typical	5mA, typical	5mA, typical
Bandwidth	(-3dB): DC to 250 Hz	(-3dB): DC to 1kHz	(-3dB): DC to 1kHz
Output Noise	-	<2mV RMS	<2mV RMS
Zero Offset:	<±1% of FS	<±1% of FS	<±1% of FS
Span Tolerance:	<±2% of FS	<±1.5% of FS	<±1.5% of FS
Output Load:	0-800 Ohms@10-28VDC	10k Ohms, Min.	10K Ohms, Min.
Reverse Polarity Protection	Yes	Yes	Yes

Dimensions



NON-INCENDIVE

AST4300 Pressure Transducer / Transmitter

Ordering Information

AST4300	A	00500	P	4	L	1	000	-SS
Series Type								
Process Connection								
A= 1/4" NPT Male B= 1/8" NPT Male* C= 1/4" BSPP Male I= 1/4" NPT Female** P= 1/2" NPT Male W= F250C Female Autoclave*** <i>*Not available under 50PSI (not available in 316L) **Pressures up to 15,000 PSI ***Pressures from 10,000 to 20,000 PSI, not available in 316L</i>								
Pressure Range								
Insert 5-digit pressure range code (example: 0-100 PSI = 00100) Ranges between 0-25 PSI and 0-20,000 PSI available. Compound pressure up to -14.7 to 500 PSI.								
Pressure Unit								
B= Bar K= kg/cm2 P= PSI								
Outputs								
1= 0.5-4.5V ratiometric 4= 4-20mA (2 wire loop powered) 3= 1-5V 6= 1-6V								
Electrical								
I= DIN 43650A L= Conduit fitting, Cable 2 ft. (0.6 m) M= Conduit fitting, Cable 4 ft. (1.2 m) N= Conduit fitting, Cable 6 ft. (1.8 m) P= Conduit fitting, Cable 10 ft. (3.0 m) 4 = Mini-Fast (CSA Only)								
Wetted Material								
0= 17-4PH 1= 316L 2= Inconel 718 4= Hastelloy C276								
Options								
000= No Options								
Approval								
(Left Blank)= UL ANSI/ISA 12.12.01 Class I Div 2 Non-Incendive Groups A, B, C, D (formerly UL1604)								
-SS	CSA213 Class I Div 2 Non-Incendive Groups A, B, C, D and ANSI/ISA 12.27.01 Single Seal Approval							
-Z	CRN Registered to ANSI/ASME B31.3. Contact factory for material, pressure, and process connection options (includes -SS approvals)							

Note: CSA approved products require case/earth ground electrical connection. See wiring installation sheet for further details

NORTH AMERICA

American Sensor Technologies, Inc. (AST),
 a TE Connectivity Company
 Tel: 1 800-522-6752
 Email: customercare.molive@te.com

ASIA

Hong Kong Sensor Technologies (HKST),
 a TE Connectivity Company
 Tel: 86 0400-820-6015
 Email: customercare.shzn@te.com

TE.com/sensorsolutions

Measurement Specialties, Inc., a TE Connectivity company.

Measurement Specialties, TE Connectivity, TE Connectivity (logo) and EVERY CONNECTION COUNTS are trademarks. All other logos, products and/or company names referred to herein might be trademarks of their respective owners.

The information given herein, including drawings, illustrations and schematics which are intended for illustration purposes only, is believed to be reliable. However, TE Connectivity makes no warranties as to its accuracy or completeness and disclaims any liability in connection with its use. TE Connectivity's obligations shall only be as set forth in TE Connectivity's Standard Terms and Conditions of Sale for this product and in no case will TE Connectivity be liable for any incidental, indirect or consequential damages arising out of the sale, resale, use or misuse of the product. Users of TE Connectivity products should make their own evaluation to determine the suitability of each such product for the specific application.

© 2015 TE Connectivity Ltd. family of companies All Rights Reserved.