

PRODUCT PREVIEW

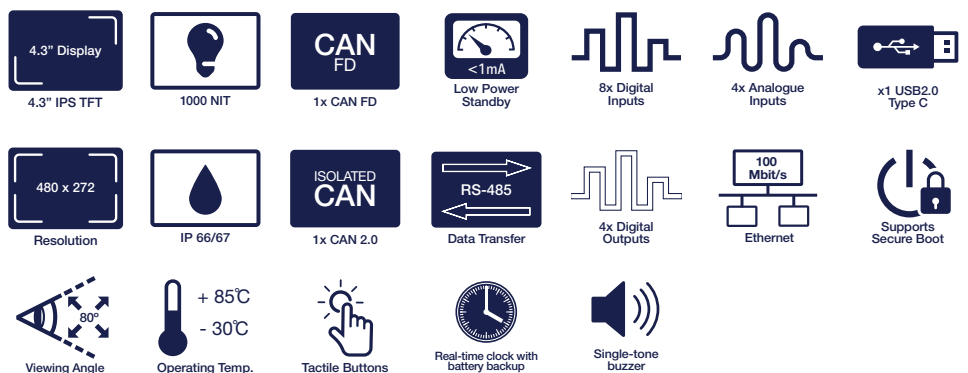
C4.3

4.3" IPS TFT CAN Bus Display with backlit buttons



Key Features:

- / 4.3" IPS TFT
- / 480 x 272px resolution
- / 1000 NIT backlight
- / IP67 All round, IP66 front
- / 5 backlit buttons
- / 4 Analogue Input (0-10V, 0-5000 Ohm, 0-28mA)
- / Up to 8 Digital Inputs (5V - 28V DC)
- / 4 Digital Outputs, capable of sourcing or sinking up to 500 mA, and up to 10 KHz PWM
- / Frequency (tachometer) input +/- 3V to +/- 60V, capable of measuring 4 Hz to 50 KHz
- / Ignition input can be used for system wake up from low power mode
- / 1 Isolated CAN 2.0
- / 1 CAN FD
- / 100 Mbit/s Ethernet
- / Real Time Clock with battery backup
- / Low Power Standby
- / Supports Secure Boot
- / Single-tone buzzer
- / Mounting options include:
 - Surface Mount
 - RAM Mount
 - Flush Mount (optional bracket)



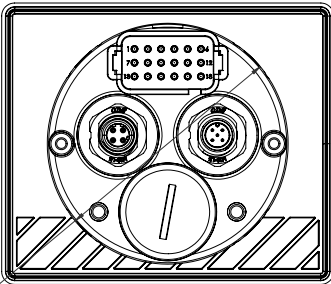
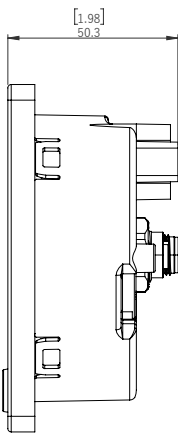
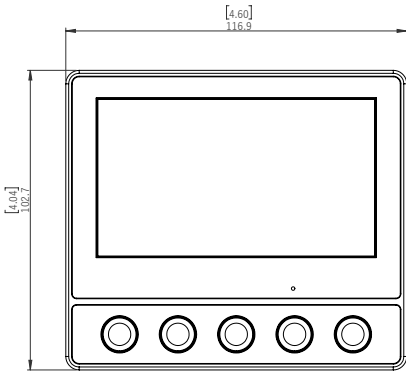
C4.3 – 4.3" IPS TFT CAN BUS DISPLAY WITH BACKLIT BUTTONS

The C4.3 continues the line of new rugged display solutions from Veethree. The 4.3" high bright colour display is a compact unit with 5 x tactile feedback buttons. On-board light sensor automatically adjusts brightness according to surroundings.

Suitable for a wide range of applications with communication options of 2 x CAN (1 x CAN FD capable and 1 x CAN isolated), RS485 and Ethernet. On-board I/O includes analogue / digital inputs and digital outputs.

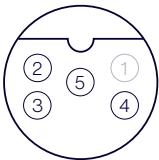
With ARMcortex-M Microcontroller the C4.3 can achieve fast boot times and can be used in low power applications. The fully bonded LCD provides outstanding viewability in all conditions including direct sunlight. The ruggedized unit is sealed to meet IP66/67 standards – suited to the harshest of environments.

Specifications



Ø34.3

CAN2 (NMEA2000™)

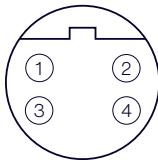


M12-5 Pin (Male)

Pin Number:

- 1: No connection
- 2: Isolated power +
- 3: Isolated power -
- 4: Isolated CAN High
- 5: Isolated CAN Low

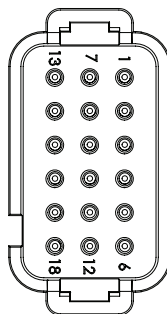
Ethernet



M12 D-Code

Pin Number:

- 1: TX+ (White /Orange)
- 2: RX+ (White/Green)
- 3: TX- (Orange)
- 4: RX- (Green)



Electrical

Display	4.3" IPS TFT
Resolution	480 x 272px
Active Area	95mm x 54mm
Viewing Angle	-80 ~ 80° (H) -80 ~ 80° (V)
Contrast Ratio	800:1
Brightness	1000 NIT (cd/m ²) Full sunlight readable
Power Requirements	9-28Vdc nominal supply voltage
Sounder	Internal buzzer
Connection	x1 18 pin Deutsch - TE connectivity DT16 18SA-K004 x1 M12 isolated CAN x1 M12 Ethernet
Communications	x1 CAN Bus x1 CAN FD x1 RS485 x1 USB Type C (USB2.0) x1 100 Mbit/s Ethernet

Environmental

Operating Temperature	-30°C to +85°C
Storage Temperature	-40°C to +85°C
Glass Impact Rating	IK06
Degree of Protection	IP66 / 67

Mechanical

Case Material	PC / ABS
Case Colour	Black / Anthracite Grey
Dimensions	116.9mm x 99.1mm x 38mm deep (51.9mm overall depth)

Inputs / Outputs

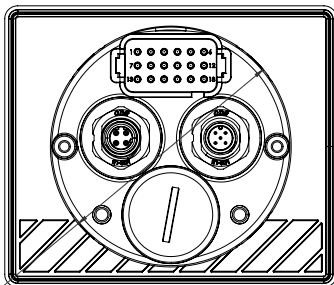
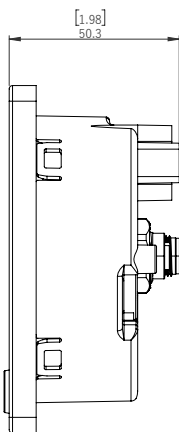
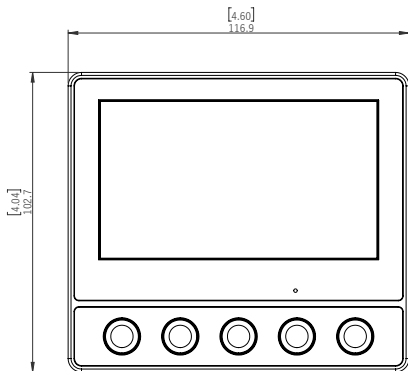
Analogue Input	4 x 0-10V, 0-5000 Ohms, 0-28 mA
Digital Inputs	x8 digital inputs
Digital Output	x4 digital outputs sourcing or sinking up to 500mA
Frequency Input	x1 frequency input +/- 3V to +/- 60V, capable of measuring 4 Hz to 50 KHz

Pin In / Out descriptions

Deutsch Connector	Pin Descriptions
	1. GROUND
	2. +POWER
	3. DIGITAL OUT 1 / DIGITAL IN 1
	4. DIGITAL OUT 2 / DIGITAL IN 2
	5. DIGITAL OUT 3 / DIGITAL IN 3
	6. DIGITAL OUT 4 / DIGITAL IN 4
	7. GROUND
	8. ANALOGUE IN 1 / DIGITAL IN 5
	9. ANALOGUE IN 2 / DIGITAL IN 6
	10. ANALOGUE IN 3 / DIGITAL IN 7
	11. ANALOGUE IN 4 / DIGITAL IN 8
	12. IGNITION
	13. GROUND
	14. TACH IN
	15. RS485+
	16. RS485-
	17. CAN1 LOW
	18. CAN1 HIGH

Please note: The product description and technical specifications are subject to change prior to the official C4.3 launch.

Specifications



Electrical

Display	4.3" IPS TFT
Resolution	480 x 272px
Active Area	95mm x 54mm
Viewing Angle	-80 ~ 80° (H) -80 ~ 80° (V)
Contrast Ratio	800:1
Brightness	1000 NIT (cd/m ²) Full sunlight readable
Power Requirements	9-28Vdc nominal supply voltage
Sounder	Internal buzzer
Connection	x1 18 pin Deutsch - TE connectivity DT16 18SA-K004 x1 M12 isolated CAN / x1 M12 Ethernet
Communications	x1 CAN Bus / x1 CAN FD / x1 RS485 / x1 USB (sealed) x1 100 Mbit/s Ethernet

Environmental

Operating Temperature	-30°C to +85°C
Storage Temperature	-40°C to +85°C
Degree of Protection	IP66/67

Mechanical

Case Material	PC/ABS
Case Colour	Black / Anthracite Grey
Dimensions	116.9mm x 99.1mm x 38mm deep (51.9mm overall depth)

Inputs / Outputs

Analogue Input	x4 0-10V, 0-5000 Ohm selectable
Digital Inputs	Up to x8 digital inputs using analogue in or digital out connections and ignition input - 0-28 mA
Digital Output	x4 digital outputs sourcing or sinking up to 500mA
Frequency Input	x1 frequency input +/- 3V to +/- 60V, capable of measuring 4 Hz to 50 KHz

Pin In / Out descriptions

Deutsch Connector	CAN2 (NMEA2000™) M12-5 Pin (Male)	Ethernet M12 D-Code
1 GROUND	1 No connection	1 TX+ (White /Orange)
2 +POWER	2 Isolated power +	2 RX+ (White/Green)
3 DIGITAL OUT 1 / DIGITAL IN 1	3 Isolated power -	3 TX- (Orange)
4 DIGITAL OUT 2 / DIGITAL IN 2	4 Isolated CAN High	4 RX- (Green)
5 DIGITAL OUT 3 / DIGITAL IN 3	5 Isolated CAN Low	
6 DIGITAL OUT 4 / DIGITAL IN 4		
7 GROUND		
8 ANALOGUE IN 1 / DIGITAL IN 5		
9 ANALOGUE IN 2 / DIGITAL IN 6		
10 ANALOGUE IN 3 / DIGITAL IN 7		
11 ANALOGUE IN 4 / DIGITAL IN 8		
12 IGNITION		
13 GROUND		
14 TACH IN		
15 RS485+		
16 RS485-		
17 CAN1 LOW		
18 CAN1 HIGH		

Please note: The product description and technical specifications are subject to change prior to the official C4.3 launch.