



ASOP SERIES OEM METRI-PACK PRESSURE TRANSDUCER

The ASMP OEM series of high performance pressure transducers have been designed for the detection of fluid and air pressures in demanding industrial applications.

The modular construction and programmable amplifier provide a fast delivery time for standard and custom configurations.

Pressure ranges are available between 1 bar to 200 bar in either sealed gauge or absolute reference. Industry standard 3-wire electrical connections allow configuration with most monitoring and control systems.

The ASOP Series are proven in industry and can be found in varied applications around the world.

For OEM applications we have many options available to customise these transducers.

TECHNICAL SPECIFICATIONS

Pressure Datum	Sealed gauge and absolute
Standard Pressure Ranges (Bar)	1, 2, 4, 5, 7, 10, 20, 100 and 200
Safe Over Range	150% of range
Burst Pressure	>300% of range
Accuracy	±0.8% FS combined linearity & hysteresis (CNLH)
Thermal Effects	Zero ±0.06% FS/°C (Sensitivity ±0.06% of reading /°C)
Output	0.5V to 4.5V
Supply	5V (±0.5V) ratiometric or 8-16Vdc
Operating Temperature Range	-30°C to +125°C
Compensated Temperature Range	0°C to +125°C
Construction	Stainless steel, alumina, Viton & EPDM
Electrical Connection	Metri-Pack (Packard) 3 pin 150 series Connector
Process Connection (Thread Size)	3/8" 24 UNF (-3), 1/8" NPT male and M10 x 1
Protection Class	IP67
EMC Protection & Vibration	EN 50082-1 and Mil-Std-810C, curve L, 20G
Weight	68g
Options	Cable assembly, thread size and labelling

We adopt a continuous development program which sometimes necessitates specification changes without notice

**Sense
Measure
Control**

Features

- *High Volume Design*
- *Built-in Connector*
- *Compact Design*
- *1 to 200 Bar Range*
- *Rugged Construction*
- *±0.8% Accuracy*

Applications

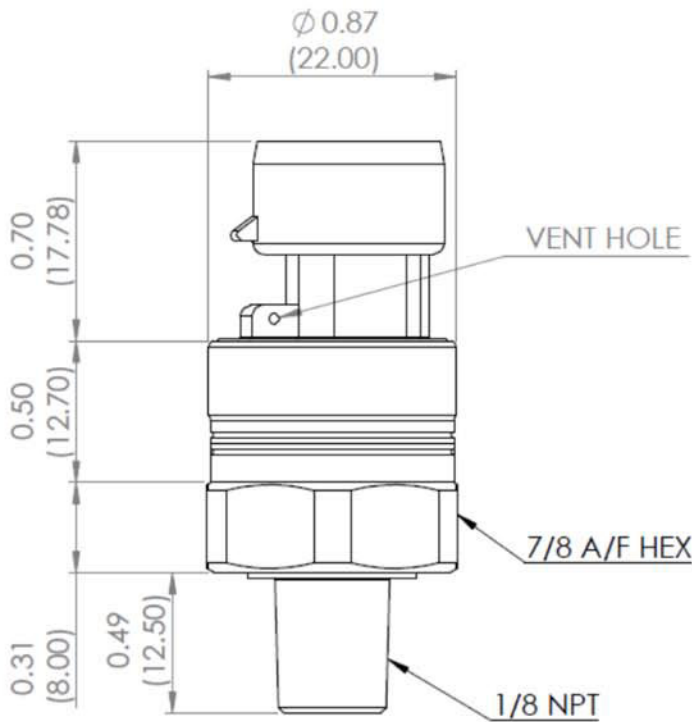
- *Pneumatics*
- *Hydraulics*
- *Coolant*
- *Water*
- *Fuel*
- *Gas*

ASOP S 1000 5 A A V 050 000

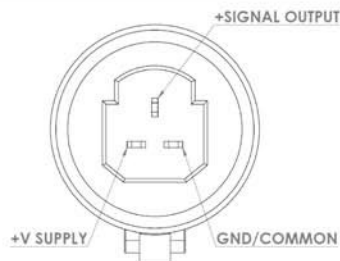
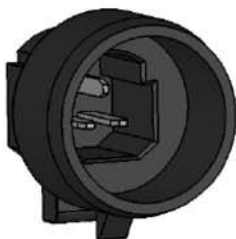
Pressure Datum	Absolute Sealed Gauge	A S						
Pressure Range	1 bar	1000						
	2 bar	2000						
	4 bar	4000						
	5 bar	5000						
	7 bar	7000						
	10 bar	1002						
	20 bar	2002						
	100 bar	1003						
	200 bar	2003						
Supply Voltage	5V ratiometric		4					
	8-16V		5					
Electrical Connection	Metri-Pack 150 Series Connector			A				
Process Connection	3/8" 24 UNF Dash-3				A			
	1/8" NPT Male				B			
	M10 x 1 Male				D			
O-Ring Material	Viton					V		
	EPDM					E		
Cable Length	50 cm						050	
Special Codes	None							000

The configuration tool is used to specify a standard sensor, other options are available.

MECHANICAL DETAILS



CONNECTION DETAILS



Sense Measure Control

Sensors for

- Temperature
- Acceleration
- Pressure
- Position
- Torque
- Speed
- Angle
- Force

Services for

- Data Logging
- Telemetry
- Controls
- Wiring
- Design

- Engineering led
- Confidential
- Experienced
- Responsive
- Dynamic
- Friendly