

Revolutionise your VRU testing with 360-degree mobility

# LaunchPad™ Spin



The LaunchPad Spin is the ADAS target platform that brings new levels of manoeuvrability to VRU testing. Its turn-on-the-spot, single wheel steering gives it the ability to rotate 360 degrees in an instant, so your testing can closely replicate the rapid changes in direction that are common to real-world pedestrian behaviour. Plus, its top speed of 30km/h also makes it capable of testing scenarios involving cyclists and e-scooters.

The LaunchPad Spin is a vital tool to enable your development programme to make the jump from basic regulatory testing of ADAS functionality to the sophisticated perception and classification required by autonomous systems.



Turn-on-the-spot 360° rotation



Limitless 360° steering for increased precision



30 km/h top speed with target fitted



Integrated GNSS inertial navigation unit for 2 cm positioning



Aluminium chassis with IP67 weather resistance



Rapid acceleration of up to 3 m/s<sup>2</sup>



Compatible with the Soft Pedestrian 360™



44 tonne truck drive over capacity



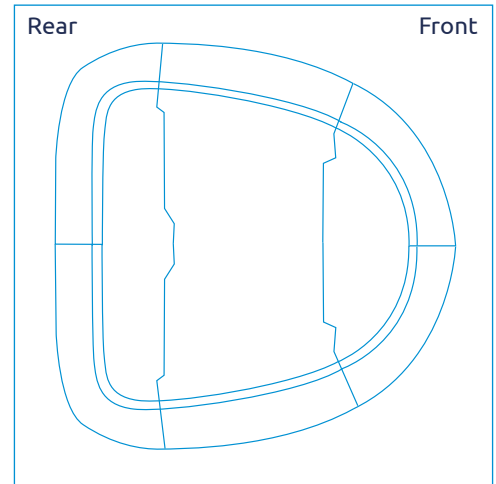
Common software interface with AB Dynamics ADAS platforms and driving robots



Hot-swappable batteries for extended running

# Specifications

Dimensions	865 x 868 x 65 mm
Weight	45 kg (excluding batteries)
Top speed	30 km/h
Maximum acceleration	3 m/s <sup>2</sup> (0-20 km/h)
Manoeuvrability	Highly controllable with single +/-90° steered front wheel and independent drive motors
Payload	Pedestrians, cyclists, e-scooters, animals. Maximum 15 kg
Batteries	High-capacity Lithium-ion battery packs 540Wh, rapid battery swap system
Weather resistance	Fully sealed electronics, waterproof to IP67



The LaunchPad Spin has been specifically designed to meet the demands of urban testing environments.

- Upgrade legacy belt driven systems with a fully mobile platform and meet UNECE test procedures with ease
- Join the forefront of heavy commercial vehicle safety by incorporating VRU targets in challenging urban scenarios
- Stay ahead of anticipated tests from Euro NCAP's 2030 roadmap, including e-scooters

## About AB Dynamics

AB Dynamics is a leading global provider of automotive test and verification solutions that facilitate the development of vehicles that are safer, more efficient and sustainable. As part of the AB Dynamics Group of companies we enable customers to develop and test in virtual environments, validate on the track and then evaluate vehicles on public roads.

For more information:  
[www.abdynamics.com](http://www.abdynamics.com)  
[info@abdynamics.com](mailto:info@abdynamics.com)

SP37 Issue 2

© 2023 AB Dynamics. All rights reserved. AB Dynamics®, LaunchPad™ Spin and Soft Pedestrian 360™ are trademarks and the property of AB Dynamics plc or its subsidiaries in the United Kingdom and elsewhere. Systems, components, methodologies and software supplied may be the subject of patent and design rights. Whilst this information is provided in good faith, no warranty or representation is given concerning such information, which must not be taken as establishing any contractual or other commitment binding upon AB Dynamics plc or any of its subsidiaries.

